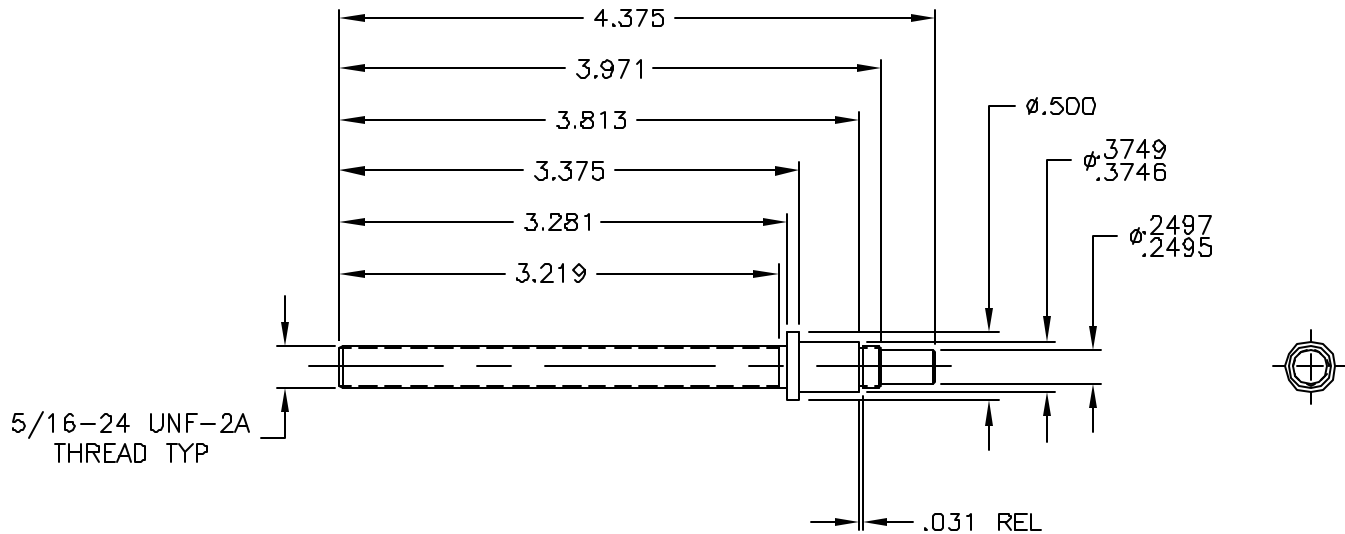


NOTES: UNLESS OTHERWISE SPECIFIED

1. REMOVE ALL BURRS AND SHARP EDGES .015
2. MACHINED SURFACE ROUGHNESS 125 ✓
3. MAT'L: 303 STAINLESS STEEL
4. FINISH:

REVISIONS

LTR	DESCRIPTION	ECR	DATE	BY	APRV
-----	-------------	-----	------	----	------



TOLERANCES UNLESS OTHERWISE NOTED
 DECIMALS FRACTIONS ANGULAR
 .XX ± .03 ± - ± 0°30'
 .XXX ± .010

NATIONAL OPTICAL ASTRONOMY OBSERVATORIES
 OPERATED BY THE
 ASSOCIATION OF UNIVERSITIES FOR RESEARCH IN ASTRONOMY
 UNDER COOPERATIVE AGREEMENT WITH
 NATIONAL SCIENCE FOUNDATION

NEXT ASSEMBLY 2131.003E5		NAME WAVEFRONT CAMERA- DRIVE SCREW, CAMERA			REF FILE 1301	
SCALE FULL		DESIGNED BY J.HOEY	DATE 12/7/00	APPROVED BY	DATE	DWG NO 2131.003B11
DRAWING PRODUCED USING AUTOCAD v.14		CHECKED BY	DATE	APPROVED BY	DATE	REV
ISSUED		RELEASED		SHEET		OF