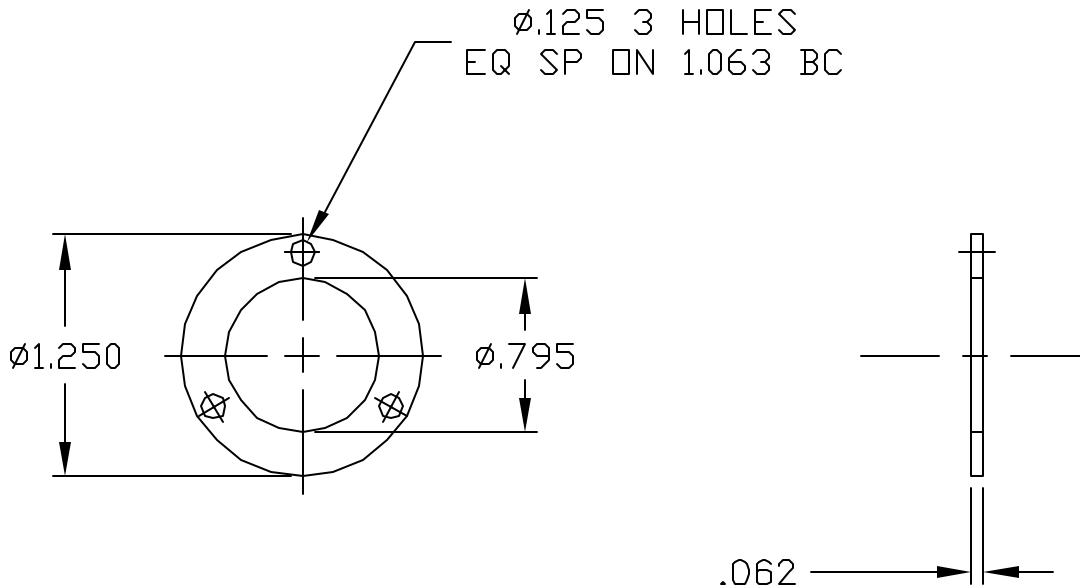


NOTES: UNLESS OTHERWISE SPECIFIED

1. REMOVE ALL BURRS AND SHARP EDGES .010 R MAX
2. MACHINED SURFACE ROUGHNESS 125 ✓
3. MAT'L: ALUMINUM ALLOY 6061-T6
4. FINISH: BLACK ANODIZE

REVISIONS

LTR	DESCRIPTION	ECR	DATE	BY	APRV
-----	-------------	-----	------	----	------



TOLERANCES UNLESS OTHERWISE NOTED
 DECIMALS FRACTIONS ANGULAR
 .XX ± .03 ± - ± 0'30'
 .XXX ± .010

NATIONAL OPTICAL ASTRONOMY OBSERVATORIES
 OPERATED BY THE
 ASSOCIATION OF UNIVERSITIES FOR RESEARCH IN ASTRONOMY
 UNDER COOPERATIVE AGREEMENT WITH
 NATIONAL SCIENCE FOUNDATION

NEXT ASSEMBLY 2131.003E5	NAME WAVEFRONT CAMERA— BEARING RETAINER, CAMERA DRIVE	REF FILE 1301				
		USED ON				
SCALE FULL	DESIGNED BY J.HOEY	DATE 12/7/00	APPROVED BY	DATE	DWG NO 2131.003A6	REV
DRAWING PRODUCED USING AUTOCAD v.14	CHECKED BY	DATE	APPROVED BY	DATE	RELEASED	SHEET OF