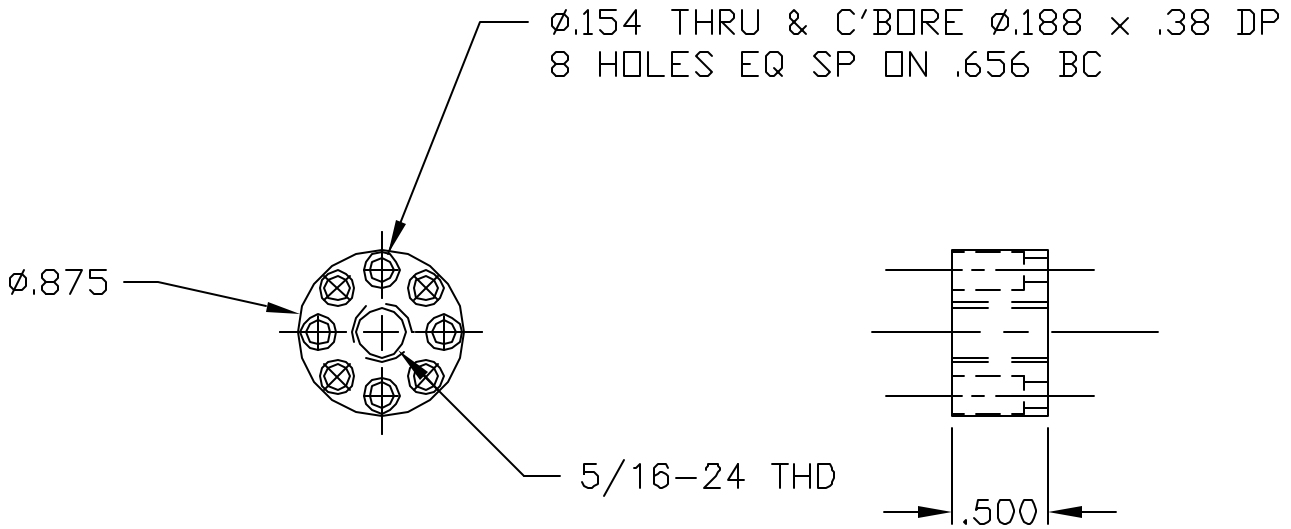


NOTES: UNLESS OTHERWISE SPECIFIED

1. REMOVE ALL BURRS AND SHARP EDGES .010 R MAX
2. MACHINED SURFACE ROUGHNESS 125 ✓
3. MAT'L: ALUMINUM BRONZE
4. FINISH: CHEMICAL BLACKEN

| REVISIONS |             |     |      |    |      |
|-----------|-------------|-----|------|----|------|
| LTR       | DESCRIPTION | ECR | DATE | BY | APRV |
|           |             |     |      |    |      |



TOLERANCES UNLESS OTHERWISE NOTED  
 DECIMALS FRACTIONS ANGULAR  
 $.XX \pm .03$   $\pm -$   $\pm 0'30''$   
 $.XXX \pm .010$

NATIONAL OPTICAL ASTRONOMY OBSERVATORIES  
 OPERATED BY THE  
 ASSOCIATION OF UNIVERSITIES FOR RESEARCH IN ASTRONOMY  
 UNDER COOPERATIVE AGREEMENT WITH  
 NATIONAL SCIENCE FOUNDATION

|                             |   |                  |
|-----------------------------|---|------------------|
| NEXT ASSEMBLY<br>2131.003E5 | NAME<br>WAVEFRONT CAMERA-<br>PRELOAD NUT,<br>CAMERA DRIVE | REF FILE<br>1301 |
|                             |   | USED ON          |

|  |                    |                  |             |      |                      |          |
|--|--------------------|------------------|-------------|------|----------------------|----------|
| SCALE<br>FULL                          | DESIGNED BY        | DATE             | APPROVED BY | DATE | DWG NO<br>2131.003A4 | REV      |
| DRAWING PRODUCED USING<br>AUTOCAD v.14 | DRAWN BY<br>J.HOEY | DATE<br>11/29/00 | APPROVED BY | DATE |                      |          |
| ISSUED                                 | CHECKED BY         | DATE             | APPROVED BY | DATE | RELEASED             | SHEET OF |