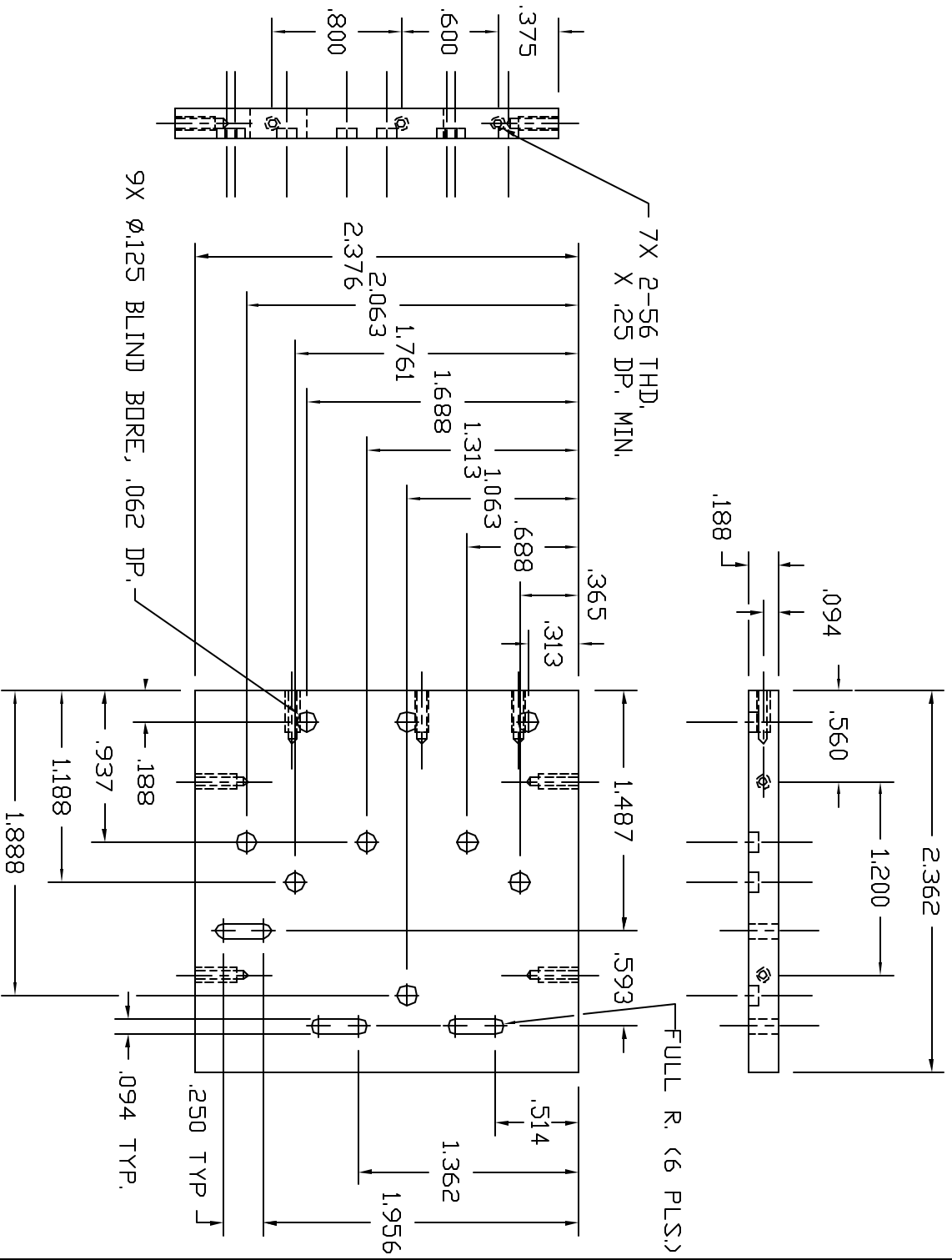


| REVISIONS |             |     |      |    |
|-----------|-------------|-----|------|----|
| LTR       | DESCRIPTION | ECR | DATE | BY |
|           |             |     |      |    |

- NOTES: UNLESS OTHERWISE NOTED
1. REMOVE ALL BURRS AND SHARP EDGES .02 R MAX
  2. MACHINED SURFACE ROUGHNESS  $\sqrt{125}$
  3. MAT'L ALUMINUM, 6061-T6



TOLERANCES UNLESS OTHERWISE NOTED  
 DECIMALS FRACTIONS ANGULAR  
 .XX ± .03 ± - ± 0°30'  
 .XXX ± .010

NATIONAL OPTICAL ASTRONOMY OBSERVATORIES  
 OPERATED BY THE  
 ASSOCIATION OF UNIVERSITIES FOR RESEARCH IN ASTRONOMY  
 UNDER COOPERATIVE AGREEMENT WITH  
 NATIONAL SCIENCE FOUNDATION

|               |                             |          |
|---------------|-----------------------------|----------|
| NEXT ASSEMBLY | NAME                        | REF FILE |
| 2131.003C11   | RIGHT PLATE,<br>PRISM ASSY. | 1301     |
|               |                             | USED ON  |

|        |      |             |      |             |      |             |       |
|--------|------|-------------|------|-------------|------|-------------|-------|
| SCALE  | FULL | DESIGNED BY | DATE | APPROVED BY | DATE | DWG NO      | REV   |
| ISSUED |      | DRAWN BY    | DATE | APPROVED BY | DATE | 2131.003A32 |       |
|        |      | CHECKED BY  | DATE | APPROVED BY | DATE | RELEASED    | SHEET |
|        |      |             |      |             |      |             | OF    |