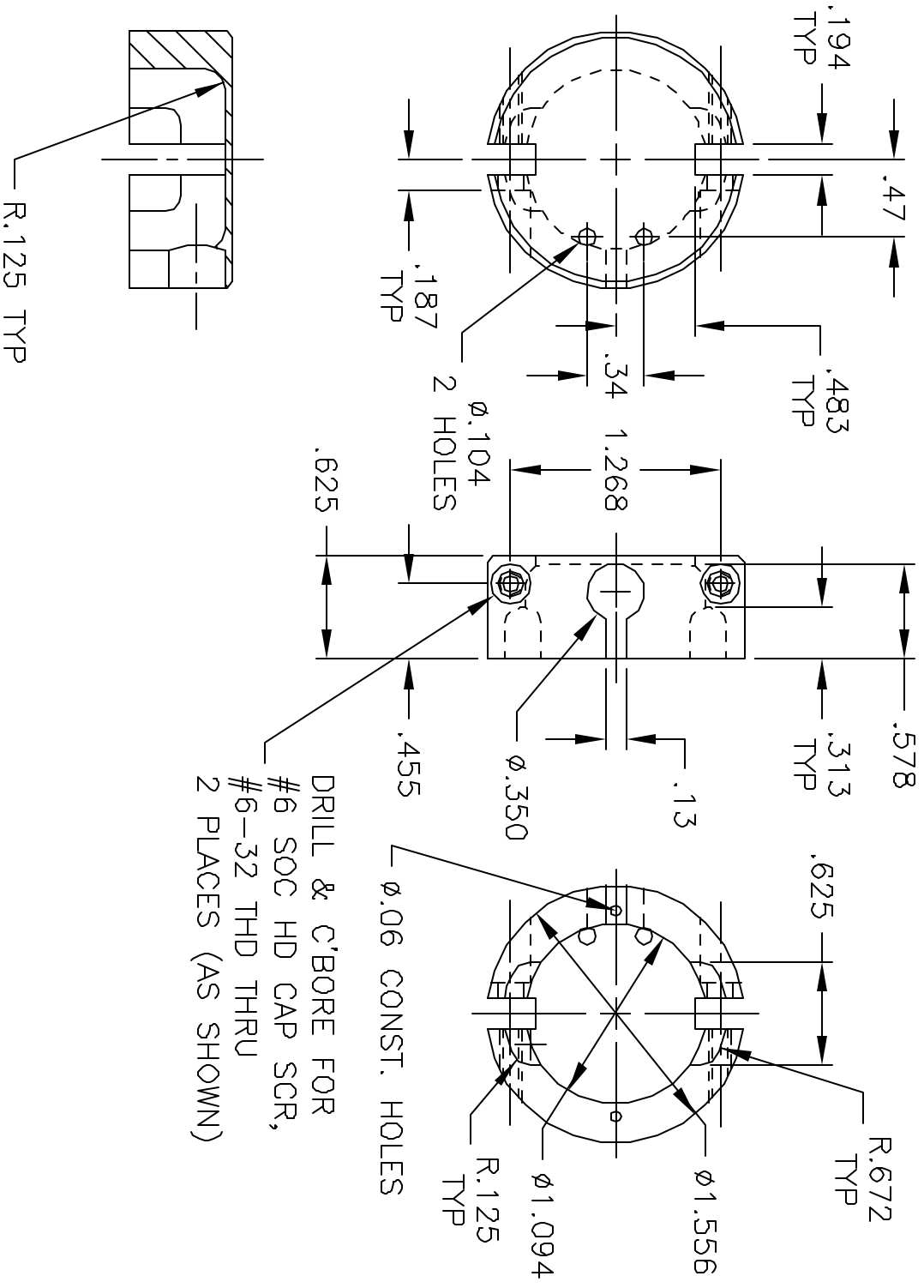


| REVISIONS | | | | |
|-----------|-------------|-----|------|----|
| LTR | DESCRIPTION | ECR | DATE | BY |
| | | | | |
| | | | | |
| | | | | |

NOTES: UNLESS OTHERWISE SPECIFIED

1. REMOVE ALL BURRS AND SHARP EDGES .030 R
2. MACHINED SURFACE ROUGHNESS 125 ✓
3. MAT'L: DELRIN



DRILL & C'BORE FOR
#6 SOC HD CAP SCR,
#6-32 THD THRU
2 PLACES (AS SHOWN)

TOLERANCES UNLESS OTHERWISE NOTED
DECIMALS FRACTIONS ANGULAR
.XX ± .03 ± - ± 0°30'
.XXX ± .010

NATIONAL OPTICAL ASTRONOMY OBSERVATORIES
OPERATED BY THE
ASSOCIATION OF UNIVERSITIES FOR RESEARCH IN ASTRONOMY
UNDER COOPERATIVE AGREEMENT WITH
NATIONAL SCIENCE FOUNDATION

| | | | | | | |
|----------------------------------------|-----------------------|------------------|-------------|------|-----------------------|----------|
| SCALE FULL | DESIGNED BY J.HOEY | DATE 05/24/01 | APPROVED BY | DATE | DWG NO 2131.003A29 | REV |
| DRAWING PRODUCED USING AUTOCAD v.14 | CHECKED BY | DATE | APPROVED BY | DATE | RELEASED | SHEET OF |
| NEXT ASSEMBLY 2131.003E54 | NAME CONNECTOR CAP | REF FILE 1301 | USED ON | | | |