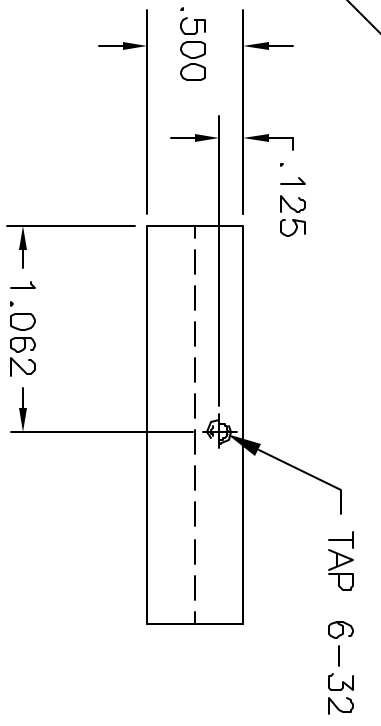
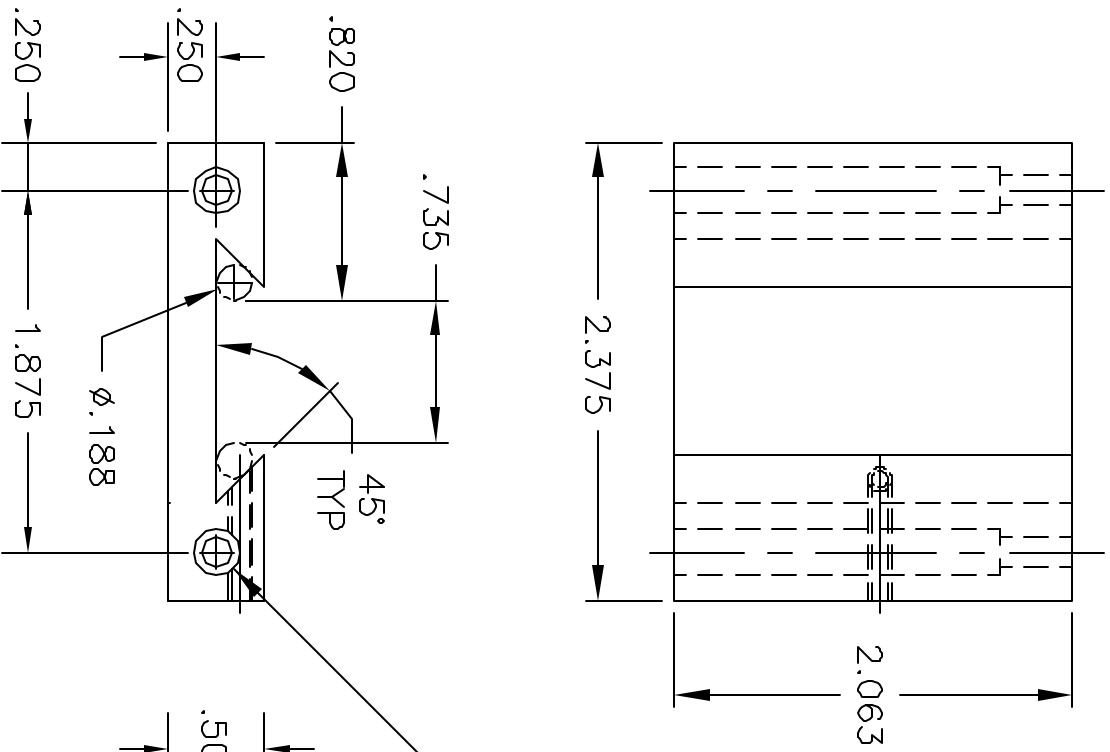


REVISIONS				
LTR	DESCRIPTION	EGR	DATE	BY
				APRV

- NOTES: UNLESS OTHERWISE SPECIFIED
1. REMOVE ALL BURRS AND SHARP EDGES .010 R MAX
 2. MACHINED SURFACE ROUGHNESS 125 ✓
 3. MAT'L: ALUMINUM ALLOY 6061-T6
 4. FINISH: BLACK ANODIZE



TOLERANCES UNLESS OTHERWISE NOTED
 DECIMALS FRACTIONS ANGULAR
 .XX ± .03 ± — ± 0°30'
 .XXX ± .010

NATIONAL OPTICAL ASTRONOMY OBSERVATORIES
 OPERATED BY THE
 ASSOCIATION OF UNIVERSITIES FOR RESEARCH IN ASTRONOMY
 UNDER COOPERATIVE AGREEMENT WITH
 NATIONAL SCIENCE FOUNDATION

SCALE	DESIGNED BY	DATE	APPROVED BY	DATE	DWG NO	REV
FULL					2131.003A26	
DRAWING PRODUCED USING	DRAWN BY	DATE	APPROVED BY	DATE		
AUTOCAD v.14	J.HOEY	05/18/01				
ISSUED	CHECKED BY	DATE	APPROVED BY	DATE	RELEASED	SHEET OF
NEXT ASSEMBLY	NAME	WAVEFRONT CAM- LENS SLIDE BASE				
2131.003C14		REF FILE 1301				
		USED ON				