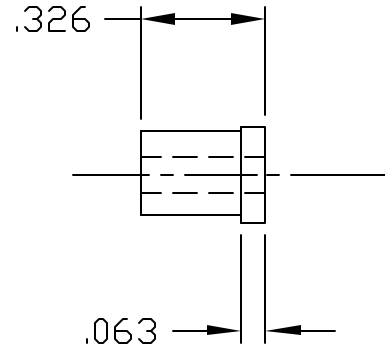
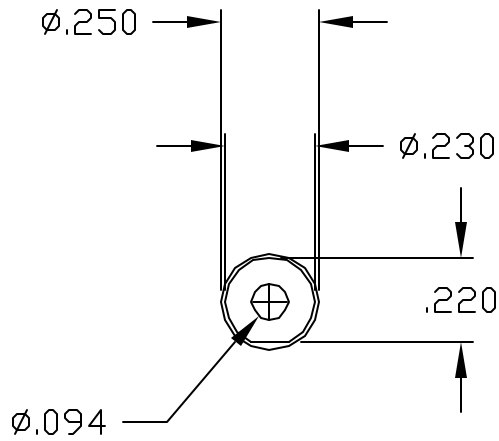


NOTES: UNLESS OTHERWISE SPECIFIED

1. REMOVE ALL BURRS AND SHARP EDGES .010 R MAX
2. MACHINED SURFACE ROUGHNESS 125 ✓
3. MAT'L: ALUMINUM ALLOY 6061-T6
4. FINISH: BLACK ANODIZE

REVISIONS

LTR	DESCRIPTION	ECR	DATE	BY	APRV
-----	-------------	-----	------	----	------



TOLERANCES UNLESS OTHERWISE NOTED
 DECIMALS FRACTIONS ANGULAR
 .XX ± .03 ± - ± 0°30'
 .XXX ± .010

NATIONAL OPTICAL ASTRONOMY OBSERVATORIES
 OPERATED BY THE
 ASSOCIATION OF UNIVERSITIES FOR RESEARCH IN ASTRONOMY
 UNDER COOPERATIVE AGREEMENT WITH
 NATIONAL SCIENCE FOUNDATION

NEXT ASSEMBLY 2131.003E54	NAME WAVEFRONT CAM- REAR SPACER, CAMERA	REF FILE 1301				
		USED ON				
SCALE 2 X SIZE	DESIGNED BY J.HOEY	DATE 1/23/01	APPROVED BY	DATE	DWG NO 2131.003A18	REV
DRAWING PRODUCED USING AUTOCAD v.14	CHECKED BY	DATE	APPROVED BY	DATE		
ISSUED					RELEASED	SHEET OF