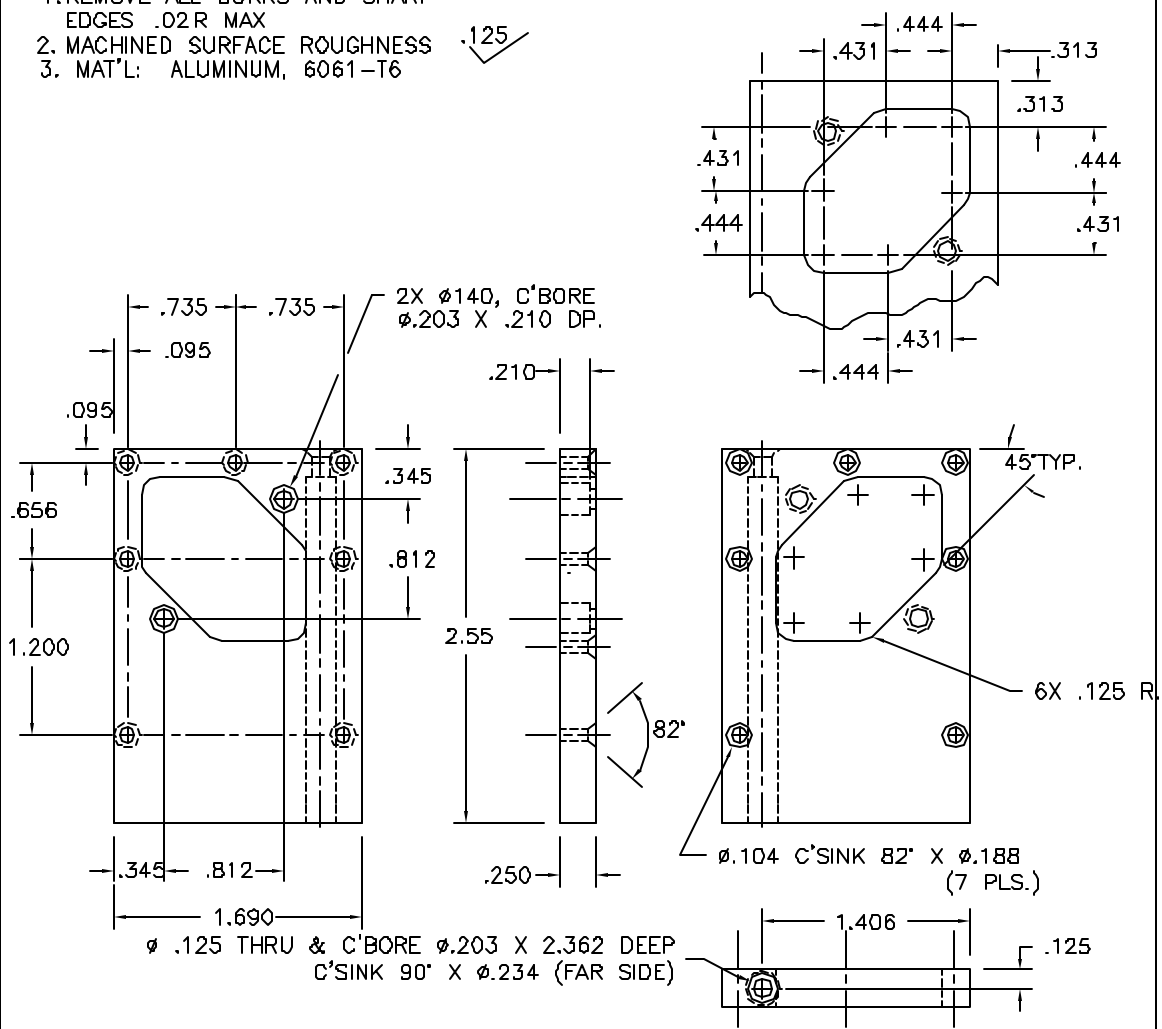


NOTES: UNLESS OTHERWISE NOTED

1. REMOVE ALL BURRS AND SHARP EDGES .02R MAX
2. MACHINED SURFACE ROUGHNESS $\sqrt{.125}$
3. MAT'L: ALUMINUM, 6061-T6

REVISIONS					
LTR	DESCRIPTION	ECR	DATE	BY	APRV



TOLERANCES UNLESS OTHERWISE NOTED
 DECIMALS FRACTIONS ANGULAR
 .XX ± .03 ± - ± 0°30'
 .XXX ± .010

NATIONAL OPTICAL ASTRONOMY OBSERVATORIES
 OPERATED BY THE
 ASSOCIATION OF UNIVERSITIES FOR RESEARCH IN ASTRONOMY
 UNDER COOPERATIVE AGREEMENT WITH
 NATIONAL SCIENCE FOUNDATION

NEXT ASSEMBLY 2131.003C11	NAME TOP PLATE, PRISM ASSY.	REF FILE 1301
		USED ON

SCALE FULL	DESIGNED BY	DATE	APPROVED BY	DATE	DWG NO 2131.003A14	REV
ISSUED	DRAWN BY J.HOEY	DATE 12/5/00	APPROVED BY	DATE		
	CHECKED BY	DATE	APPROVED BY	DATE	RELEASED	SHEET OF