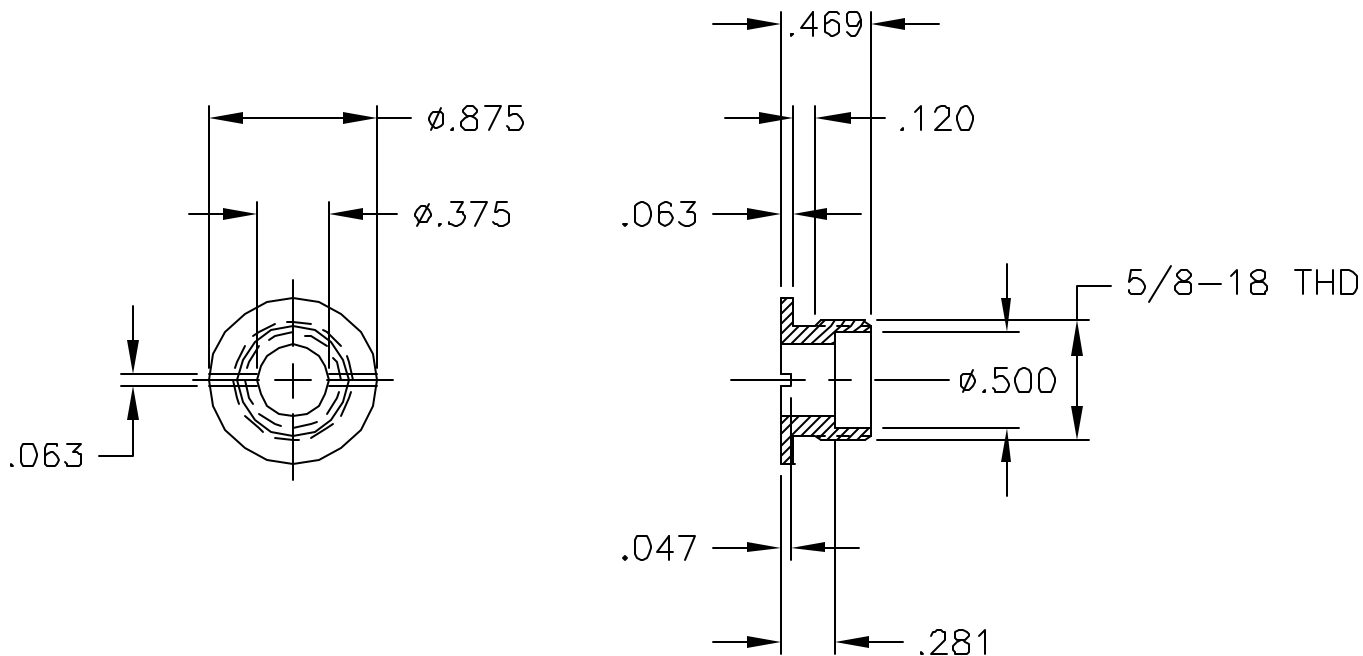


NOTES: UNLESS OTHERWISE SPECIFIED

1. REMOVE ALL BURRS AND SHARP EDGES .010 R MAX
2. MACHINED SURFACE ROUGHNESS 125 ✓
3. MAT'L: STAINLESS STEEL
4. FINISH:

REVISIONS					
LTR	DESCRIPTION	ECR	DATE	BY	APRV



TOLERANCES UNLESS OTHERWISE NOTED
 DECIMALS FRACTIONS ANGULAR
 .XX ± .03 ± - ± 0°30'
 .XXX ± .010

NATIONAL OPTICAL ASTRONOMY OBSERVATORIES
 OPERATED BY THE
 ASSOCIATION OF UNIVERSITIES FOR RESEARCH IN ASTRONOMY
 UNDER COOPERATIVE AGREEMENT WITH
 NATIONAL SCIENCE FOUNDATION

NEXT ASSEMBLY 2131.003E5	NAME WAVEFRONT CAMERA— PRISM DRIVE SPRING RET	REF FILE 1301
		USED ON

SCALE FULL	DESIGNED BY	DATE	APPROVED BY	DATE	DWG NO 2131.003A12	REV
DRAWING PRODUCED USING AUTOCAD v.14	DRAWN BY J.HOEY	DATE 12/5/00	APPROVED BY	DATE		
ISSUED	CHECKED BY	DATE	APPROVED BY	DATE	RELEASED	SHEET OF