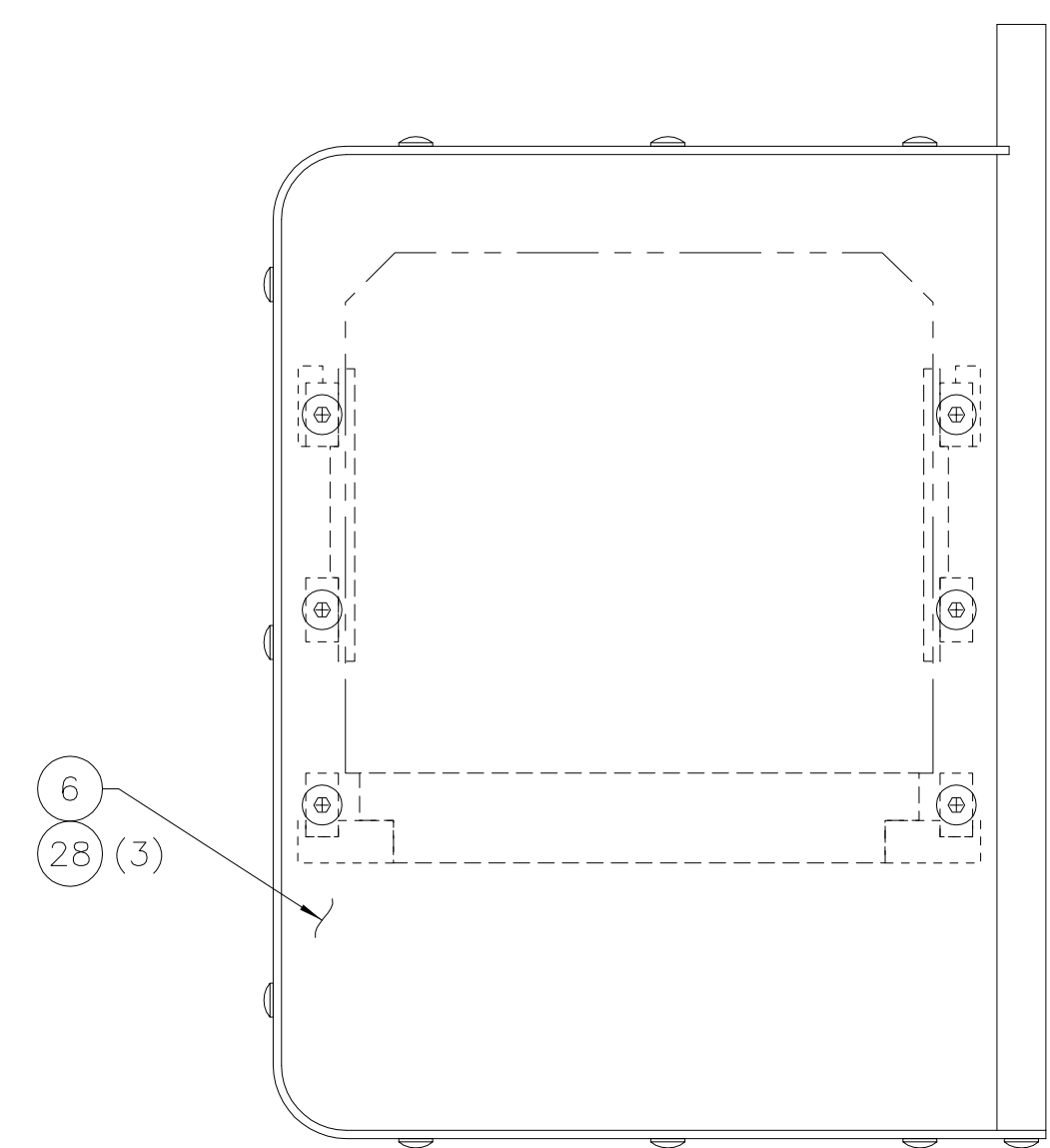
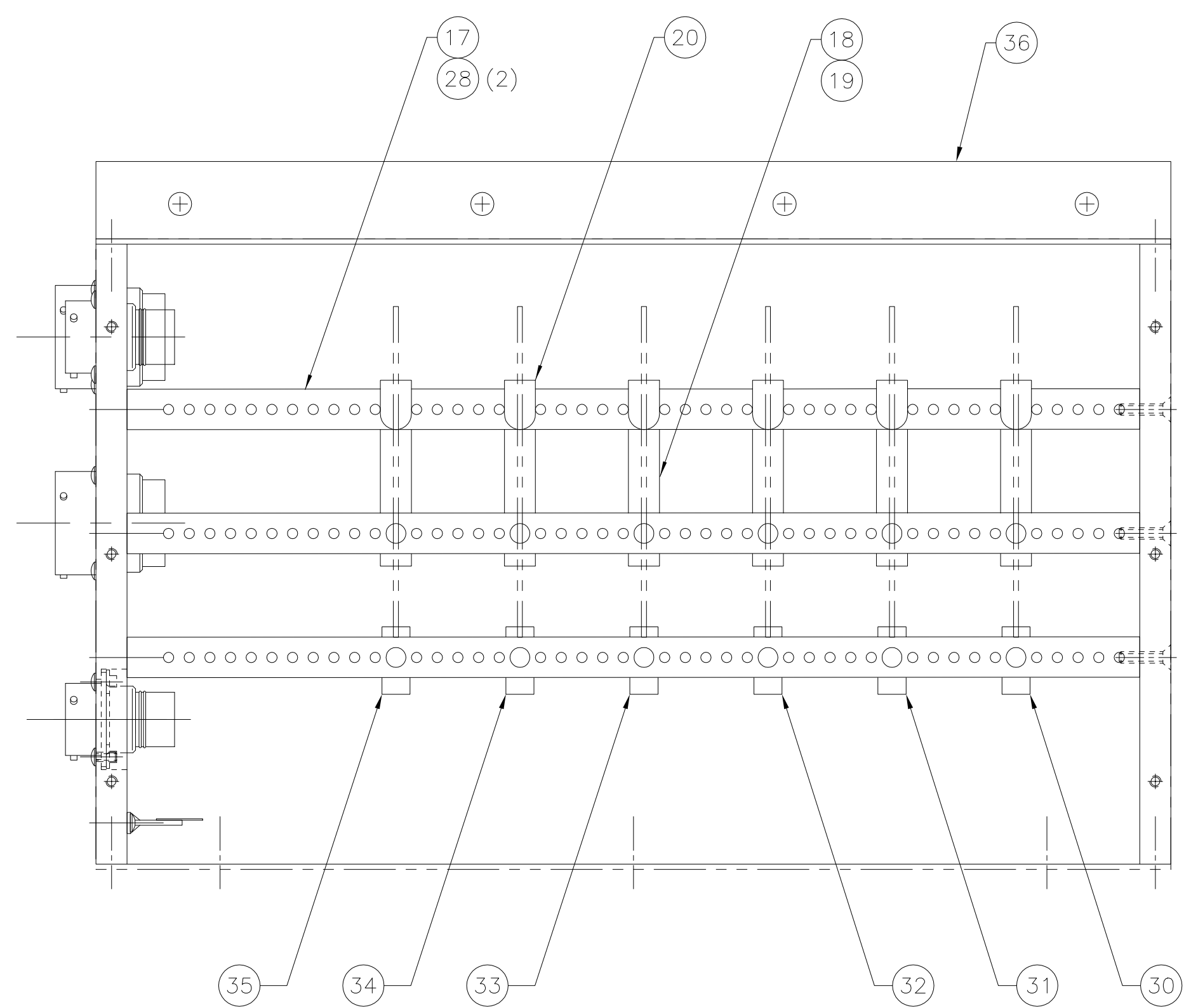
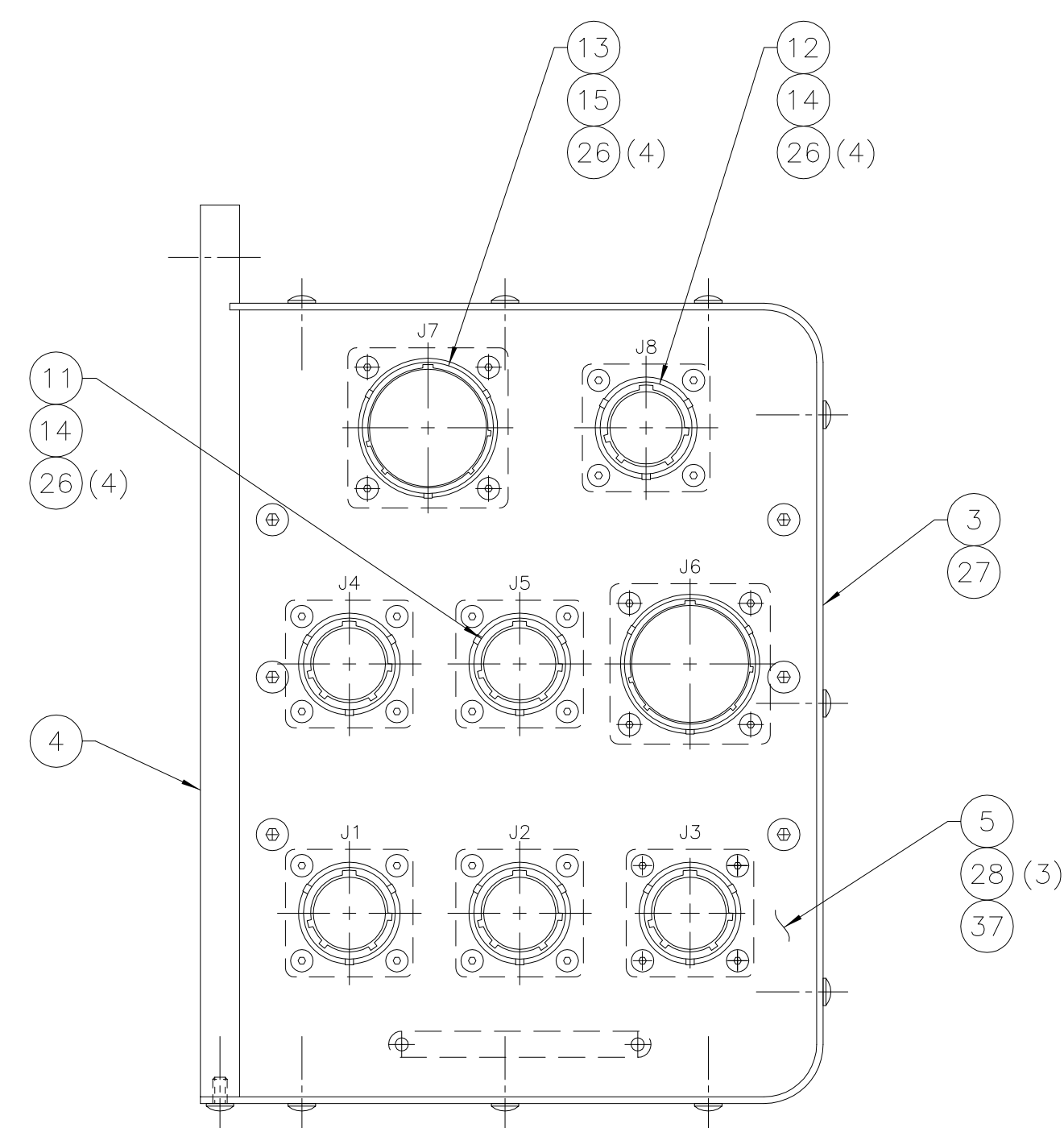
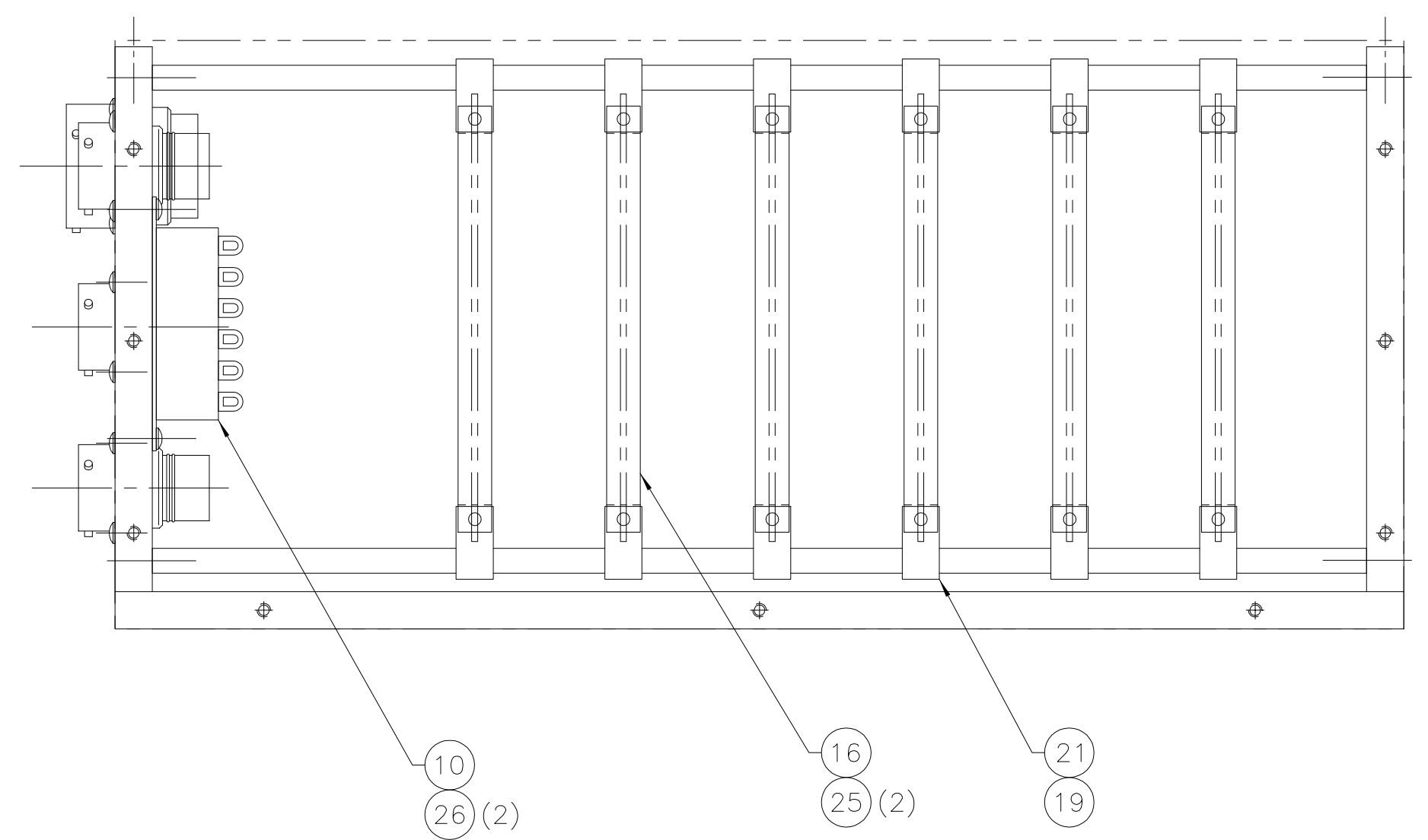


REVISIONS					
ZONE	LN	DESCRIPTION	CR	DATE	BY / REV
EXCL	1	ADD BALLPOINT FOR MTR CTRL CARDS	3573	10/10/02	SPG
N/A	2	ADD CARD #1 & VENDOR DOC #1	3573	10/13/02	SPG



COVER REMOVED FOR CLARITY



1	2131.003833	WIRING DIAGRAM MOTOR DRIVE ELEC BOX	N/A	42
1	2131.003443	VENDOR DOC: G210-REV 5 INSTALLATION NOTES	N/A	41
1	2131.003437	ASSY DWG & BOM MANUAL MTR CONTROL CARD	N/A	40
1	2131.003436	ASSY DWG & BOM MOTOR CONTROL CARD	N/A	39
1	2131.003435	ASSY DWG & BOM MOTOR CARD	N/A	38
1	2131.003018	MOTOR DRIVER BOX CONNECTOR MFG PLATE	F7	37
1	2131.003017	MOTOR DRIVER BOX BOTTOM MFG PLATE	F4	36
1	2131.003834	X - AXIS CARD	F5	35
1	2131.003834	Y - AXIS CARD	F5	34
1	2131.003834	Z - AXIS CARD (CAMERA)	F5	33
1	2131.003834	PRISM AXIS CARD	F4	32
1	2131.003835	MOTOR CONTROL CARD	F4	31
1	2131.003836	MANUAL CONTROL CARD	F4	30
				29
18		#6-32 x 5/8 HEX SOC FLAT HD SCR	STL	C5 28
21		#6-32 x 1/4 HEX SOC BUTTON HD	STL	27 27
34		#4-40 X 1/4 HEX SOC BUTTON HD	STL	F7 26
12		#4-40 X 1/2 SLOTTED PAN HD SCR	STL	B4 25
				24 24
				23 23
				22 22
12	2422	CONNECTOR FOOT	SAE	B4 21
12	3100	L.D. TAB NOT	SAE	C5 20
24	3000	GUIDE MOUNT	SAE	G4 19
12	1250	CARD GUIDE	SAE	G4 18
6	102265-2ABAR	SUPPORT BAR ISIN	SAE	C5 17
6	5044A-30	EDGE CONNECTOR-22 TRM(156 PITCH/2) CINCH	B4	16
2	FSU-2001F	NUT PLATE, NON LOCKING	FASTENER SPECIALTY	H7 15
6	FSU-1401F	NUT PLATE, NON LOCKING	FASTENER SPECIALTY	H7 14
2	KPSE02E20-41P	MS CONNECTOR, SHELL SIZE 20 ITT CANNON	H7	13
5	KPSE02E14-19P	MS CONNECTOR, SHELL SIZE 14 ITT CANNON	H7	12
1	L14TE1252N-A	CONNECTOR	BURNDY	G8 11
1	3006	TERMINAL STRIP-SERIES 3000, 6 LUG	H.H.SMITH	G5 10
				9 9
				8 8
				7 7
				6 6
1	2131.003011-1	SIDE PLATE	F2	6
1	2131.003018	CONNECTOR MFG PLATE	F7	5
1	2131.003017	BOTTOM MOUNTING PLATE	F8	4
1	2131.003447-1	COVER	F7	3
				2
				1
				1

DATE	BY	DESCRIPTION	DATE	BY	DESCRIPTION
10/10/02	SPG	ISSUED	10/10/02	SPG	ISSUED

TOLERANCES UNLESS OTHERWISE NOTED: NATIONAL OPTICAL ASTRONOMY OBSERVATORIES
 DECIMALS: XX.XX FRACTIONS: ANGULAR: ASSOCIATION OF UNIVERSITY RESEARCH IN ASTRONOMY
 .XXX ± .010 ± - ± 9'30" NATIONAL SCIENCE FOUNDATION

NEXT ASSEMBLY	NAME	REF FILE		
2131.003E1	WAVEFRONT CAMERA MOTOR DRIVER ELECT. BOX ASSY	1301		
DATE	SCALE	BY	CHKD	APP'D
10/09/02	1:1	J.HOPEY	05/09/02	2131.003E55 A