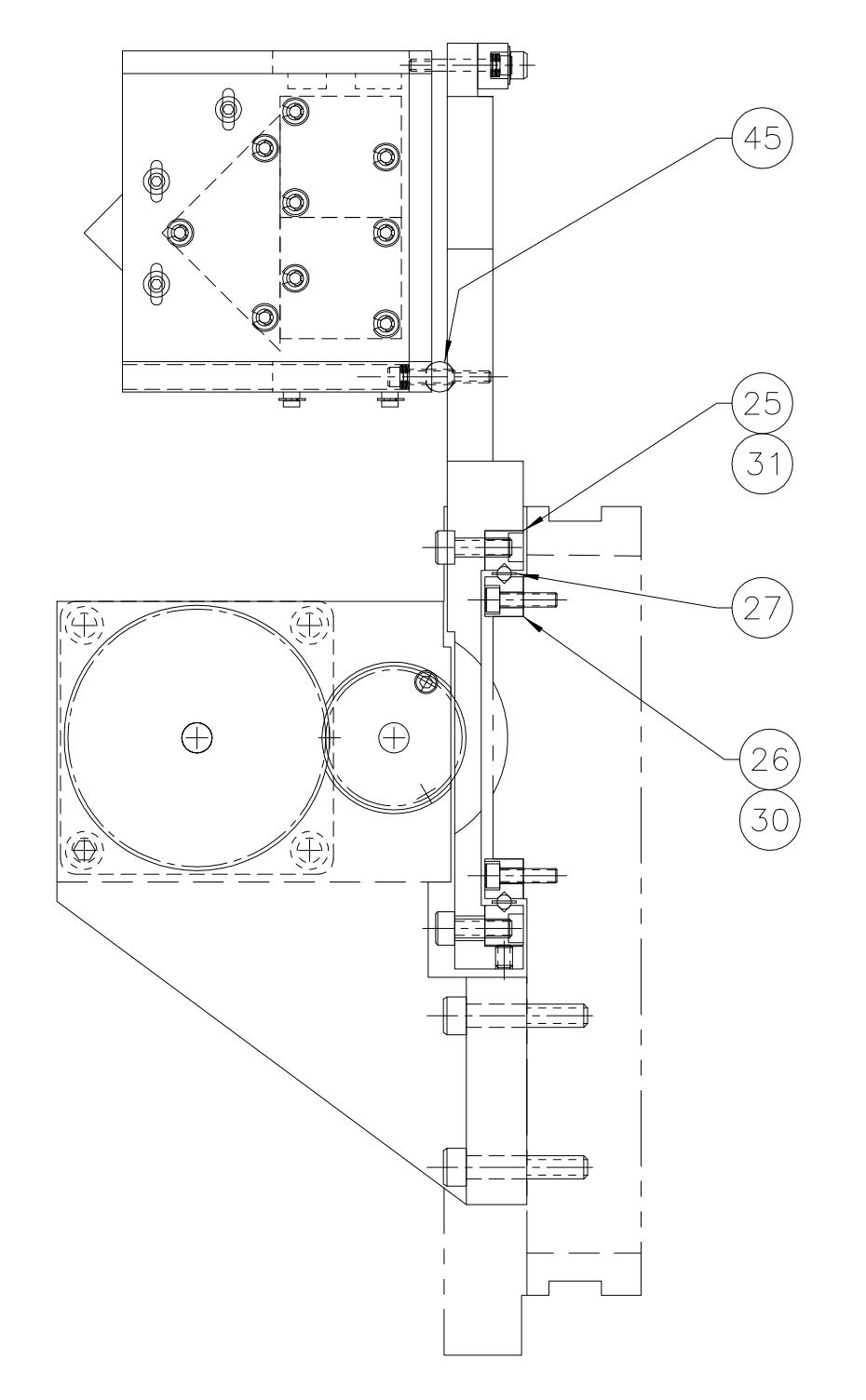
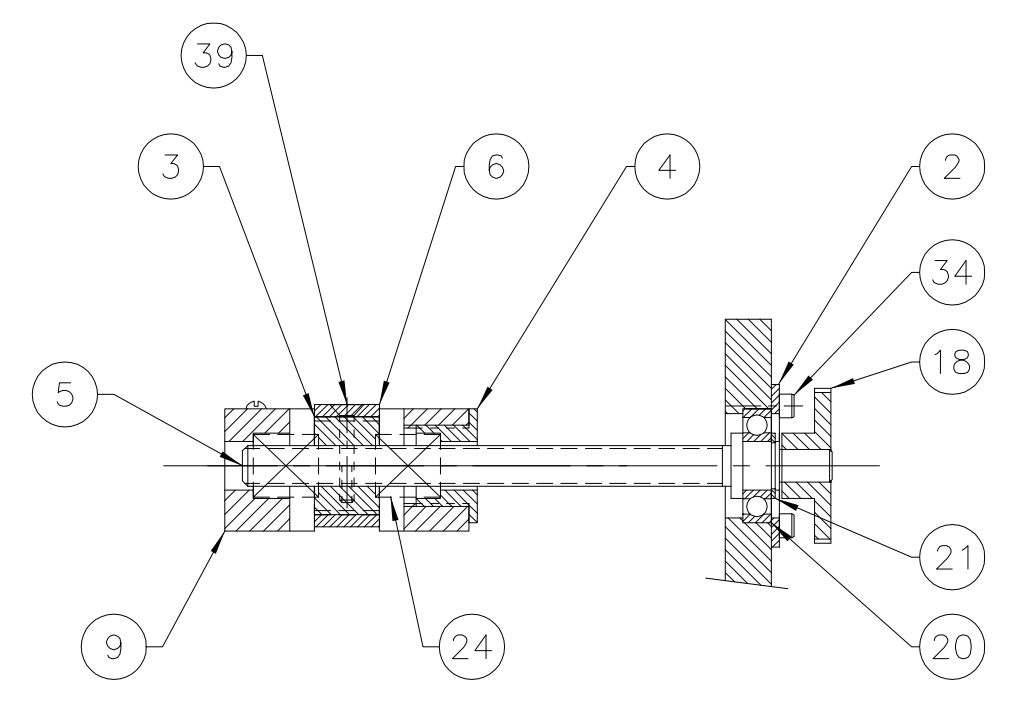
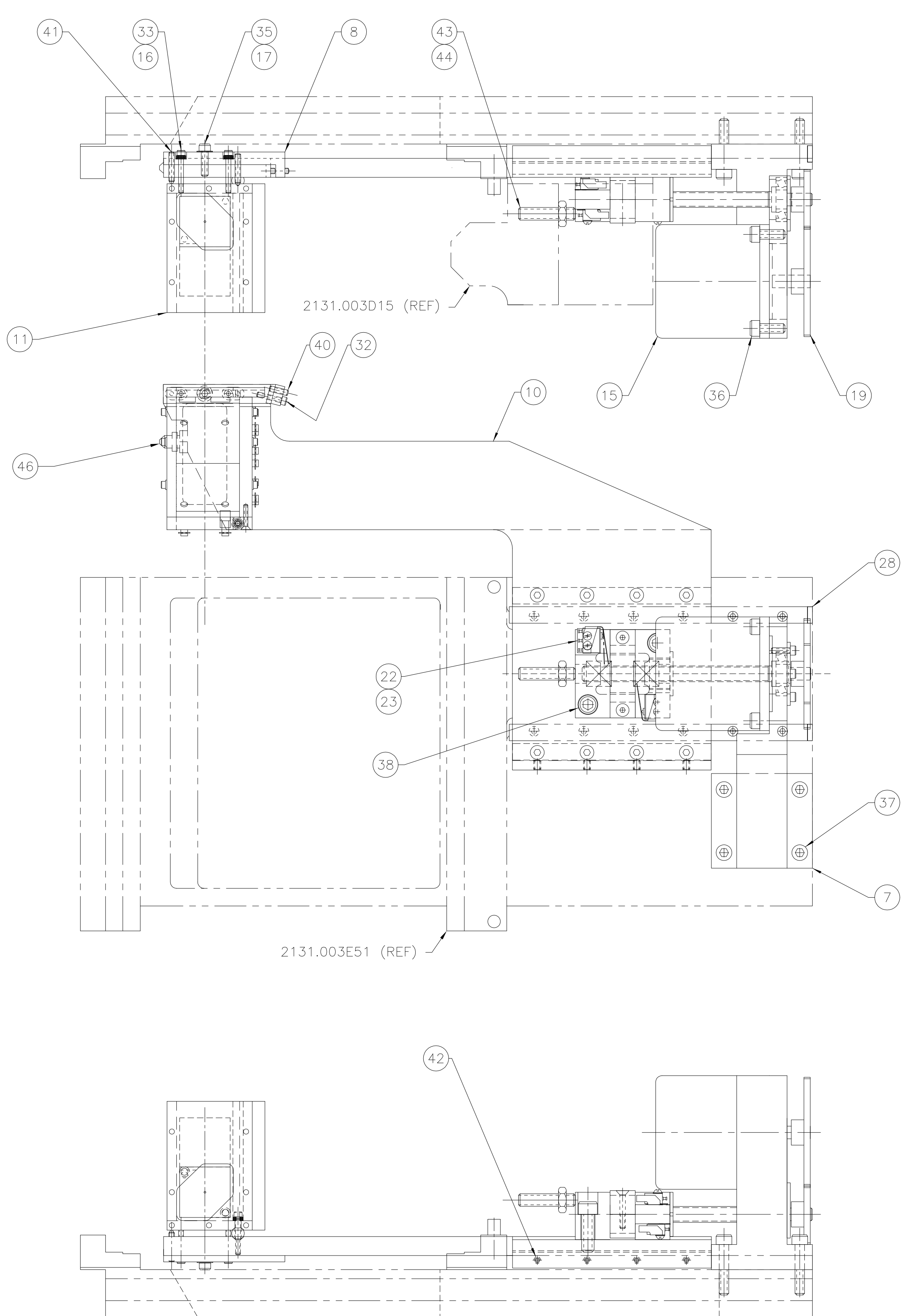


NOTES: UNLESS OTHERWISE SPECIFIED
 1. REMOVE ALL BURRS AND SHARP EDGES
 2. MACHINED SURFACE ROUGHNESS 125
 3. MAT'L:
 4. FINISH:

REVISIONS					
ZONE	LTN	DESCRIPTION	ECR	DATE	BY
CP		ADDED PRISM ARM STOP PIN	3073	10/24/02	SHJ
N/A	A	ADDED ELECTRICAL DIAGRAM NUMBER	3078	10/23/04	SHJ



1	2131.003B32	WIRING DIAG, WAVE FRONT CAMERA INTERCONNECT	N/A	42
1	2131.003B28	PRISM ARM STOP PIN	F7	46
1		1/4 DIA STEEL BALL (DRILL 1/8 HOLE THRU)	E3	45
1		1/4-20 HEX JAM NUT	G5	44
1		1/4-20 x 1 LG HEX SOC SET SCR	G5	43
4		#6-32 x 3/16 LG HEX SOC SET SCR	A5	42
2		#4-40 x 5/8 LG HEX SOC SET SCR	G7	41
1		#4-40 x 3/8 LG HEX SOC SET SCR	F7	40
2		#4-40 x 3/4 LG HEX SOC FLAT HD SCR	G3	39
2		1/4-20 x 3/4 LG SOC HD CAP SCR	G5	38
4		#10-24 x 1 LG SOC HD CAP SCR	D5	37
4		#10-24 x 1/2 LG SOC HD CAP SCR	F5	36
1		#6-32 x 1/2 LG SOC HD CAP SCR	G7	35
3		#4-40 x 3/8 LG SOC HD CAP SCR	G3	34
3		#3-48 x 3/4 LG SOC HD CAP SCR	G7	33
1		#3-48 x 1/2 LG SOC HD CAP SCR	F7	32
8		M4 x 12mm LG SOC HD CAP SCR	E3	31
12		M3 x 12mm LG SOC HD CAP SCR	E3	30
2	LWERA3	END STOPS	SKF	D5 28
2	LWUK 3x21	B3 BALL CAGE, 21 BALLS LG	SKF	E3 27
2	LWR3150	PRECISION RAIL GUIDE-V3, 150mm LG	SKF	E3 26
2	LWR3100	PRECISION RAIL GUIDE-V3, 100mm LG	SKF	E3 25
2	LC-0630-2	SPRING-COMPRESSION	LEE	G3 24
4	JK-40	SWITCH ACTUATOR-LEAF	MICROSWITCH	D5 23
4	1SX1-7	SUBMINIATURE SWITCH	MICROSWITCH	D5 22
1	5100-37	RETAINING RING- 3/8 SHAFT	WALDES	G3 21
1	53K	BEARING-875 CDx .375 IDx .219 W	EAFNIR	G3 20
1	G44-68	SPUR GEAR-32P,2.125 P.D., 3/16 W, ALUM	PIC	F5 19
1	G43-36	SPUR GEAR-32P,1.125 P.D., 3/16 W, SST	PIC	G3 18
1	D6-22	BELLEVILLE SPRING WASHER	PIC	G7 17
15	D6-20	BELLEVILLE SPRING WASHER	PIC	G7 16
1	M2-2220-5 (0)	STEPPER MOTOR	IMS	F5 15
1	2131.003C11	PRISM HOLDING ASSY	F7	11
1	2131.003D16	PRISM ARM	E6	10
1	2131.003C8	PRISM LIMIT SWITCH MOUNT	G3	9
1	2131.003C7	PRISM ADJUSTMENT ARM	G7	8
1	2131.003C6	PRISM DRIVE BRACKET	D5	7
1	2131.003B14	PRISM DRIVE NUT YOKE	G3	6
1	2131.003B13	PRISM DRIVE SCREW	G3	5
1	2131.003A12	PRISM DRIVE SPRING RET	G3	4
1	2131.003A11	PRISM DRIVE NUT	G3	3
1	2131.003A10	PRISM DRIVE BRG RET	G3	2

ALTER TO 1/8 W
 ALTER TO 1/8 W

SYMBOL	DESCRIPTION	UNIT	REF. FILE
XXX ± .010	± .010		
XXX ± .010	± .010		
XXX ± .010	± .010		

NATIONAL OPTICAL ASTRONOMY OBSERVATORIES
 OPERATED BY THE
 ASSOCIATION OF UNIVERSITIES FOR RESEARCH IN ASTRONOMY
 UNDER COOPERATIVE AGREEMENT WITH
 NATIONAL SCIENCE FOUNDATION

NEXT ASSEMBLY: 2131.003E1
 NAME: WAVEFRONT CAMERA PRISM DRIVE
 REF. FILE: 1301
 USED ON:

DRAWN BY: J. H. H. DATE: 01/12/01
 CHECKED BY: J. H. H. DATE: 01/12/01
 PART NUMBER: 2131.003E53 A

8 7 6 5 4 3 2 1