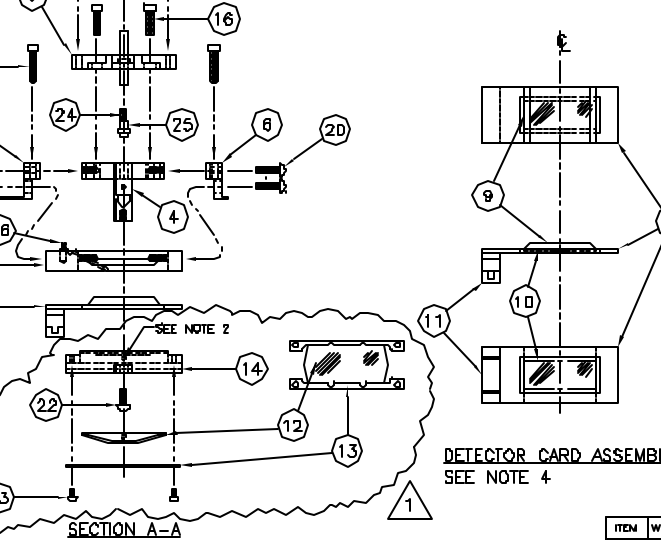
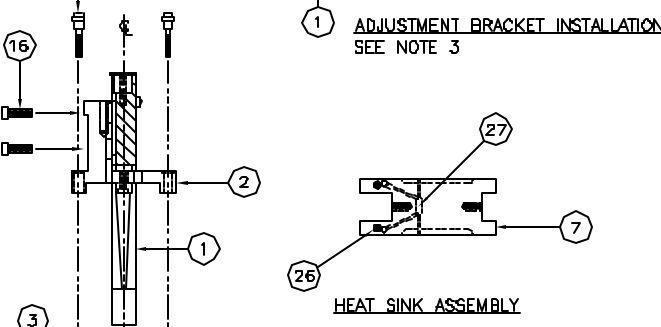
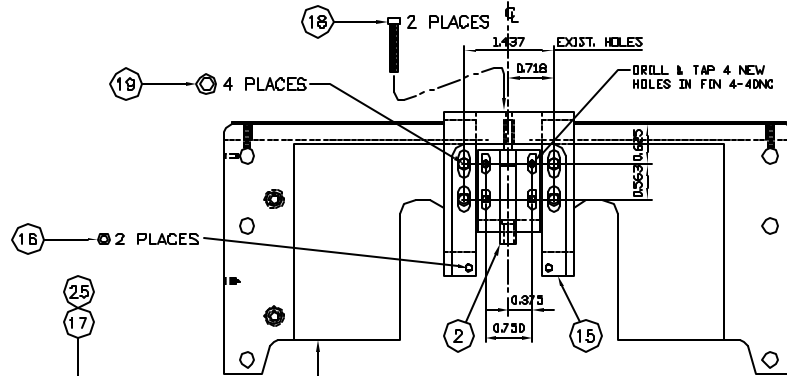
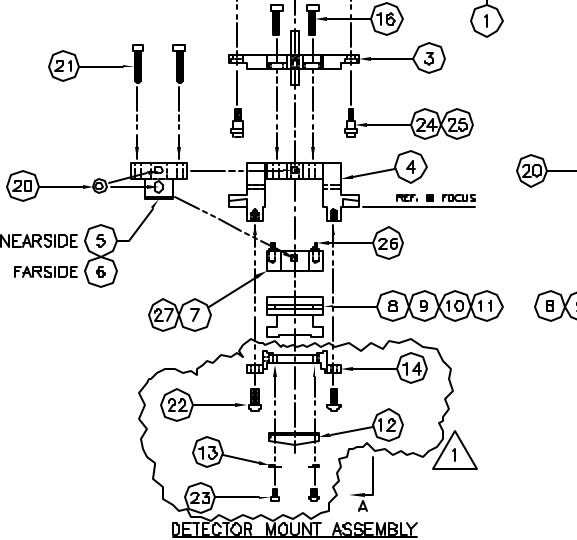
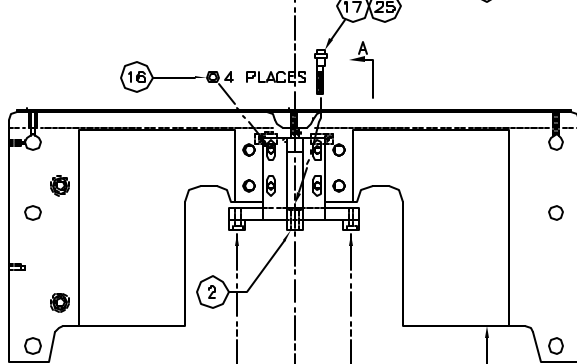
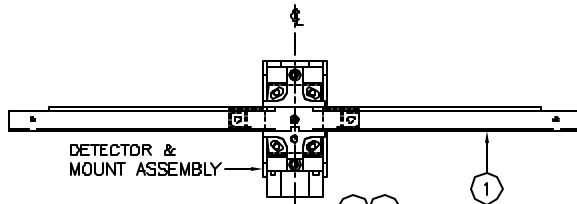


NOTES:

1. ALL SCREWS TO BE OF STAINLESS STEEL & VENTED, (UNLESS NOTED)
2. DUMPIE IS FOR THE PURPOSE OF CENTERING LENS ONLY. INSERT 1/16" PLASTIC ROD WITH RADIUSED END INTO LENS; MAKE TOUCH CONTACT, WEDGE OPPOSITE EDGE OF LENS WITH FOLDED PAPER TO BRING LENS INTO FULL CONTACT WITH RETAINER WALL.
3. ADJUSTMENT BRACKET IS TO BE USED TEMPORARILY FOR PROVIDING VERTICAL & ANGULAR ADJUSTMENT FOR THE ASSEMBLY. REMOVE AFTER USE.
4. PARTS (1), (2), & (3) CLUED IN ASSEMBLY @ U. OF CA. @ SANTA CRUZ.

REVISIONS					
DATE	BY	REVISIONS	CHK	DATE	BY
1		ISSUED RETAINER & LENS CLIP DRAWING		7/24/61	POB



1	1N914	SILICON DIODE RESISTOR BASE, METAL FILM, 12.4 Ω, 1%	27
2	1106-32-0919	SPLIT TERMINAL WITH TEFLON SEAT CONCORD	26
4	2131.0008396A	INSULATOR BUSHING	25
2	SEE NOTE 1	SOCK-HD CAP SCREW 2-56NCX3/8 LONG	24
4	SEE NOTE 1	SOCK-HD CAP SCREW 1X72NFX1/8 LONG	23
2	SEE NOTE 1	SOCK, BUTT-N HD CAP SCREW 4-40NCX7/4 LONG	22
4	SEE NOTE 1	SOCK-HD CAP SCREW 4-40NCX3/8 LG, TAPERED END	21
4	SEE NOTE 1	SOCK, BUTT-N HD CAP SCREW 4-40NCX 3/8 LONG	20
4	SEE NOTE 1 (NO VENT)	SOCK-HD CAP SCREW 10-32NCX1/2 LONG	19
2	SEE NOTE 1 (NO VENT)	SOCK-HD CAP SCREW 4-40NCX3/4 (ALL THRD)	18
2	SEE NOTE 1	SOCK-HD CAP SCREW 2-56NCX3/8 LONG	17
10	SEE NOTE 1	SOCK-HD CAP SCREW 4-40NCX3/8 LONG	16
1	2131.0008397B	ADJUSTMENT BRACKET	15
1	2131.0008402B-R1	RETAINER	14
2	2131.0008425A	LENS RETAINING CLIP	13
1	2131.0008396A	FIELD-FLATTENER LENS	12
1	9147 & 9718	30-PIN MALE & FEMALE CONNECTOR PAIR	11
1		CCD LBNL 1980-000 SERIAL NO. 001	10
1	2131.0008394A	HEAT SINK BRIDGE	9
1	2172.05086	PRINTED CIRCUIT BOARD	8
1	2131.0008401B	HEAT SINK	7
1	2131.0008398B-2	HEAT SINK CLIP	6
1	2131.0008398B-1	HEAT SINK CLIP	5
1	2131.0008398B	SPANNER FRAME	4
1	2131.0008400B	HANGER	3
1	2131.0008405B	SEAT	2
1	2131.0008284D	FIN (EXISTING)	1

UNLESS OTHERWISE NOTED, ALL DIMENSIONS ARE IN INCHES AND DECIMALS THEREOF.

DO NOT SCALE DRAWING

NEXT ASSEMBLY

NAME: DETECTOR MOUNT ASSEMBLY

USED ON: CRYOCAM 1307

REV: D

ITEM	WEIGHT (LBS)	FULL	WEIGHT (LBS)	WEIGHT (LBS)
AUTOCAD R14				

D
C
B
A