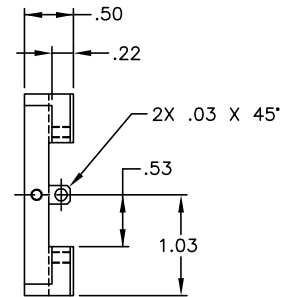
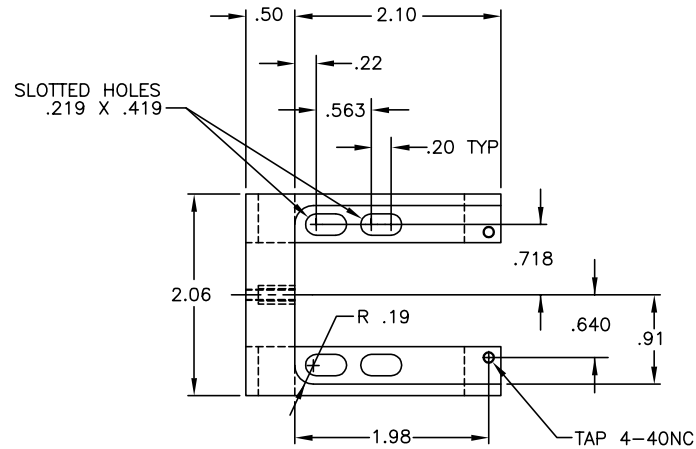
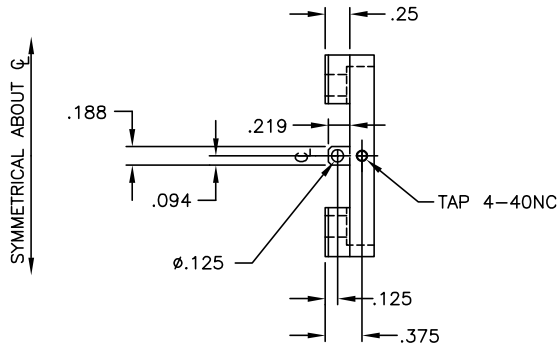
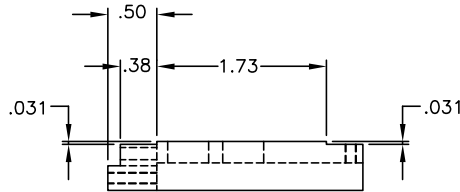


NOTES:

1. REMOVE ALL BURRS AND SHARP EDGES; 0.015 R MAX.
2. MACHINED SURFACE ROUGHNESS $Rz/$
3. MAT'L: FABRICATE FROM 6061-T6 ALUMINUM.
4. FINISH: NONE

| REVISIONS | | | | | |
|-----------|-----|-----------|-----|------|---------|
| ZONE | LTR | REVISIONS | ECR | DATE | BY APRV |
| | | | | | |



| QTY REQD | PART OR IDENTIFYING NO | DESCRIPTION | MATERIAL/SPECIFICATION | ZONE | ITEM NO |
|-----------------------------------|------------------------|---|------------------------|--------------|---------------|
| | | | | | |
| TOLERANCES UNLESS OTHERWISE NOTED | | NATIONAL OPTICAL ASTRONOMY OBSERVATORIES | | | |
| DECIMALS | | OPERATED BY THE | | | |
| .XX ± .02 | | ASSOCIATION OF UNIVERSITIES FOR RESEARCH IN ASTRONOMY | | | |
| FRACTIONS | | UNDER CONTRACT WITH | | | |
| .XXX ± .006 UN. NTD. | | NATIONAL SCIENCE FOUNDATION | | | |
| .XXXX ± .0010 UN. NTD. | | .XX ± 0'04' | | | |
| NEXT ASSEMBLY | | NAME | | REF FILE | |
| 2131.0008404D | | ADJUSTMENT BRACKET; DETECTOR MOUNT | | 1307 | |
| | | | | USED ON | |
| | | | | CRYOCAM | |
| SCALE | DRAWN BY | DATE | APPROVED BY | DATE | DWG NO |
| FULL | R. BLAKLEY | 2/21/01 | | | 2131.0008397C |
| ISSUED | CHECKED BY | DATE | APPROVED BY | DATE | |
| | RDB | 3/28/01 | | | |
| RELEASED | | | | SHEET 1 OF 1 | |