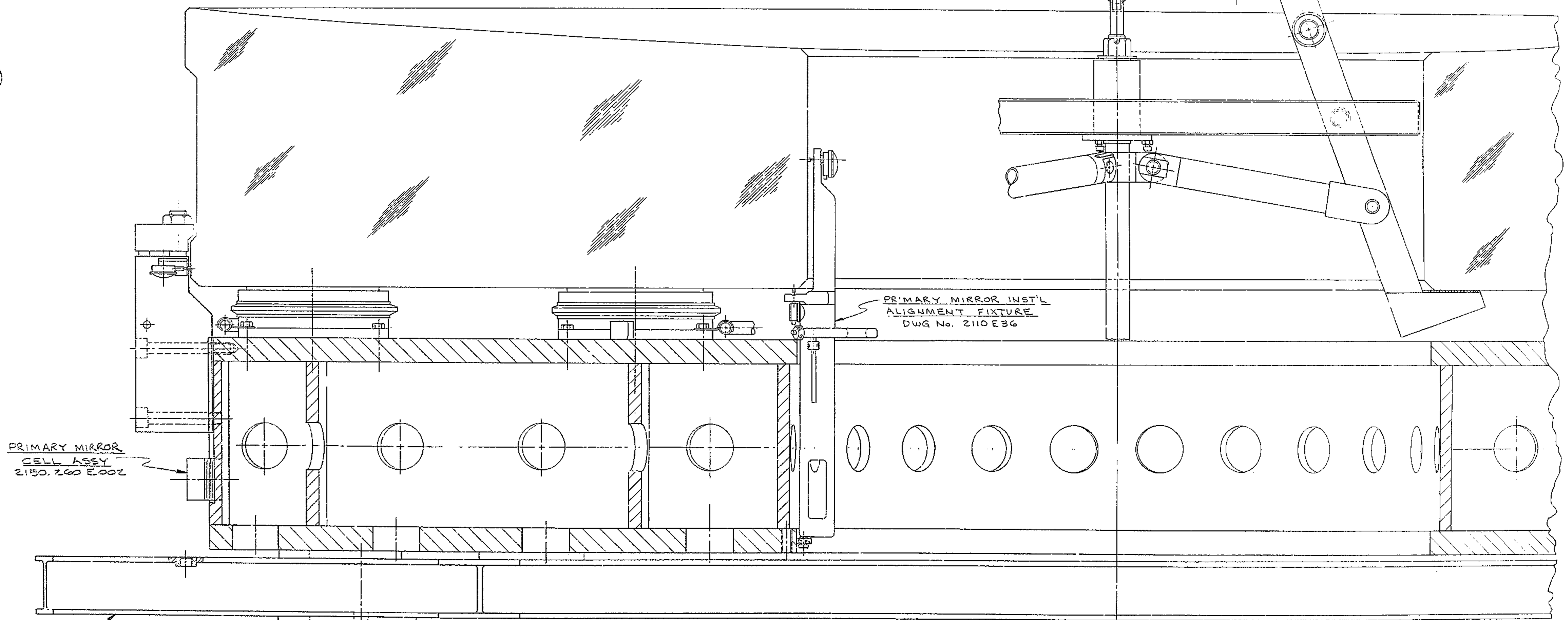
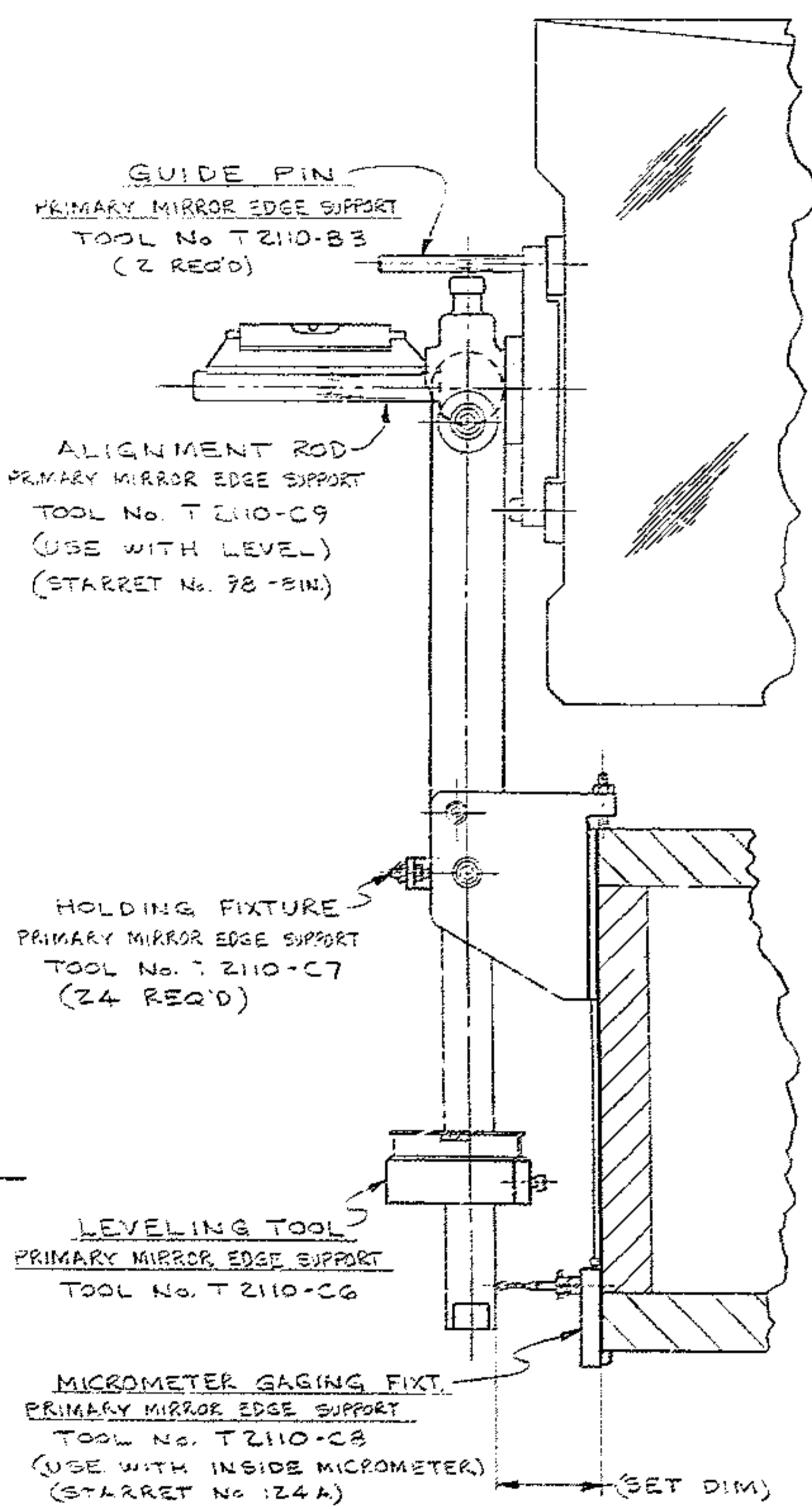
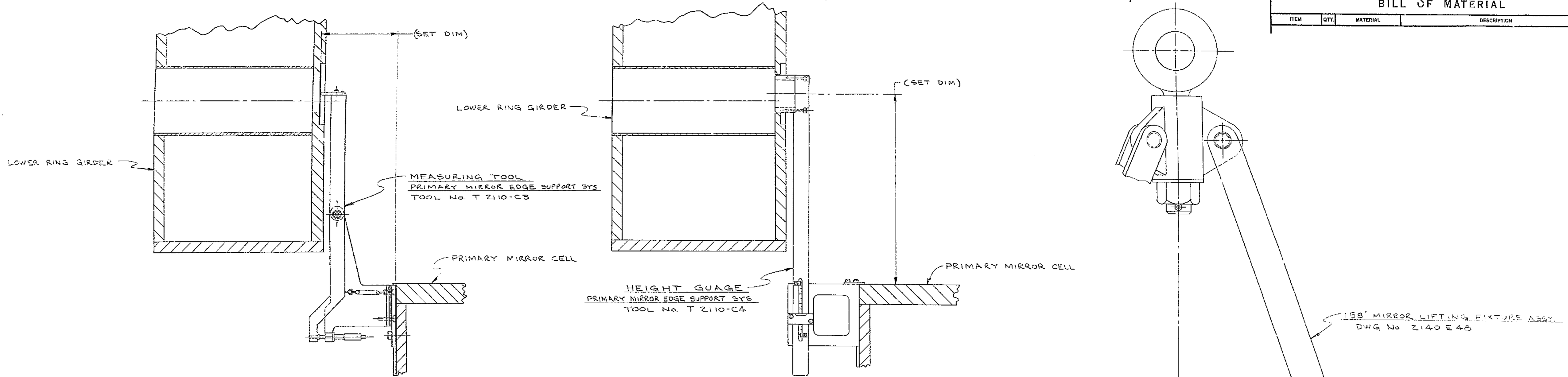


BILL OF MATERIAL

ITEM	QTY	MATERIAL	DESCRIPTION	WEIGHT
------	-----	----------	-------------	--------



MIRROR CELL REMOVAL ADAPTER FOR ALUMINIZING CART 2140-E4E

CHAMBER BASE ASSY HVE D10393P-7

FOR ASSEMBLY SEE				TOLERANCES UNLESS OTHERWISE NOTED				KIT PEAK NATIONAL OBSERVATORY			
DECIMAL DIMENSIONS				0.0005 - 0.010				CREATED BY THE ASSOCIATION OF UNIVERSITIES FOR RESEARCH IN ASTRONOMY, INC.			
FRACTIONAL DIMENSIONS				01.0005 & 0.005				UNDER CONTRACT WITH NATIONAL SCIENCE FOUNDATION			
UP TO 18" 1/64				18" TO 30" 1/32				REF FILE 84-30			
30" & OVER 1/16				ALL SURFACES TO HAVE V FINISH UNLESS OTHERWISE NOTED.				NAME 150" MIRROR INSTALLATION			
BROKE SHARP EDGES				DATE 12-7-74				DRAWING NUMBER 2120-E140			
ALL SURFACES TO HAVE V FINISH UNLESS OTHERWISE NOTED.				DATE 12-7-74				REV.			
DESIGNED BY DATE 12-7-74				APPROVED BY DATE 12-7-74				PRINT ISSUED			
DRAWN BY DATE 12-7-74				APPROVED BY DATE 12-7-74				SCALE 2x			
CHECKED BY DATE 12-7-74				APPROVED BY DATE 12-7-74				FILE			
LET.				REVISION				E/C			
DATE				BY							