

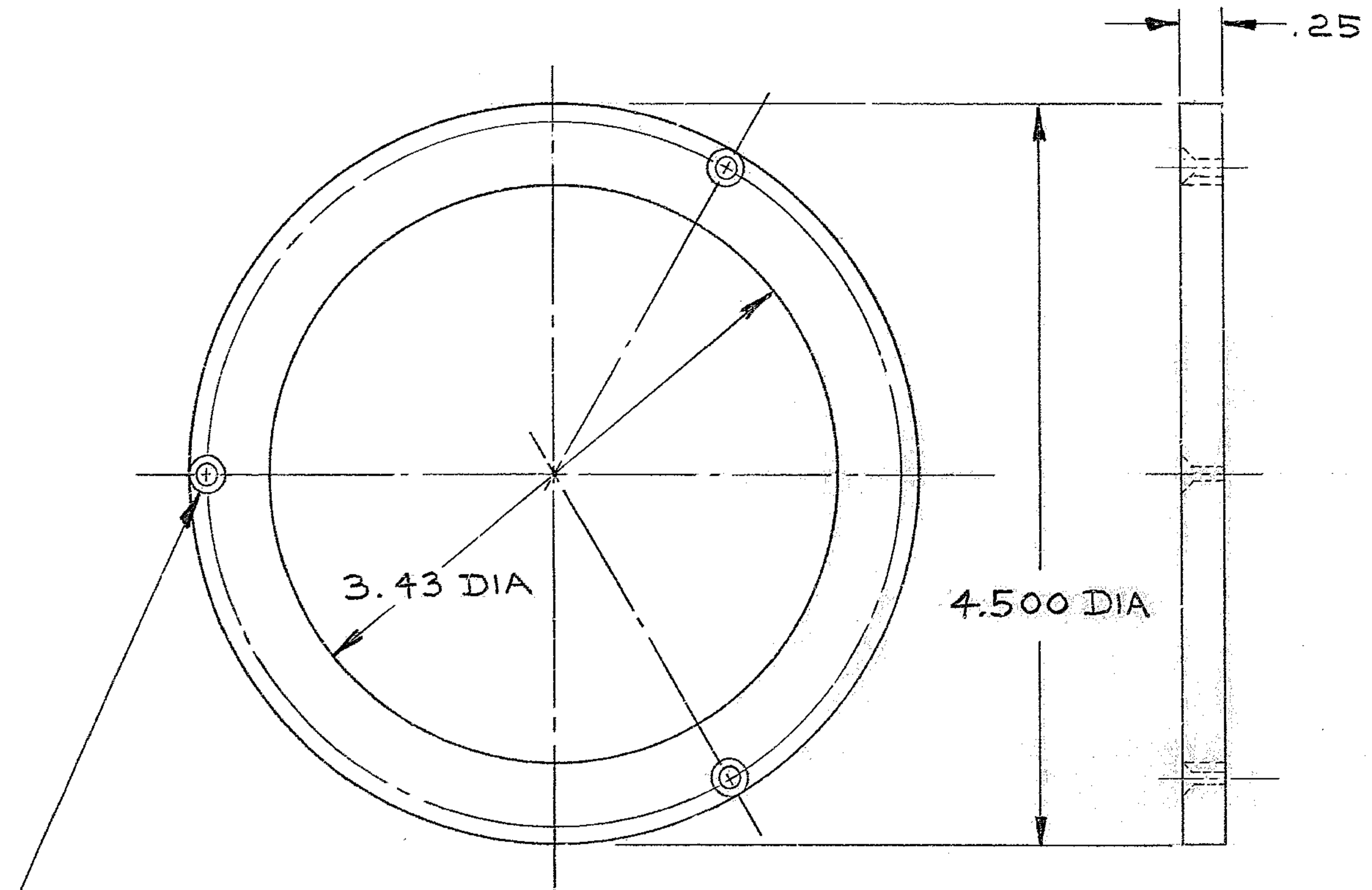
NOTES: UNLESS OTHERWISE NOTED

1. REMOVE ALL BURRS AND SHARP EDGES $.03 R \text{ MAX}$

2. MACHINED SURFACE ROUGHNESS $125 \sqrt{\text{V}}$

3 MATCH WITH 2110-B7

| REVISIONS | | | | |
|-----------|-------------|-----|------|---------|
| LTR | DESCRIPTION | ECR | DATE | BY/APVD |
| | | | | |



DRILL & C/SK FOR
 #4 FLAT SOC HD SCR
 3 HOLES EQUALLY SPACED
 3 ON 4.19 DIA B.C. REF

MATL: ALUM.
 FINISH: BLACK ANODIZE

150 INCH STELLAR TELESCOPE

| | | | | | |
|--|---------------------------|--|--|------------------|--|
| TOLERANCES UNLESS OTHERWISE NOTED DECIMALS FRACTIONS ANGULAR .XX ± .03 ± — ± 0° 30' .XXX ± .010 | | | KITT PEAK NATIONAL OBSERVATORY <small>OPERATED BY THE ASSOCIATION OF UNIVERSITIES FOR RESEARCH IN ASTRONOMY, INC. UNDER CONTRACT WITH NATIONAL SCIENCE FOUNDATION</small> | | |
| NEXT ASSEMBLY 2110-D9 | | NAME MIRROR RETAINING RING SECONDARY FLIP ALIGNMENT MIRROR ASSY | | REF FILE 1214 | |
| SCALE PRINT ISSUED | DESIGNED BY A.A.A. | DATE 12-11-72 | APPROVED BY A.A.A. | DATE 5-1-73 | |
| | DRAWN BY D.L.B. | DATE 12-19-72 | APPROVED BY (Signature) | DATE (Date) | |
| | CHECKED BY (Signature) | DATE (Date) | APPROVED BY (Signature) | DATE (Date) | |
| DWG NO. 2110-B8 | | | REV (Blank) | | |
| RELEASE DATE 5-3-73 | | | (Blank) | | |

RCC 5-2-73