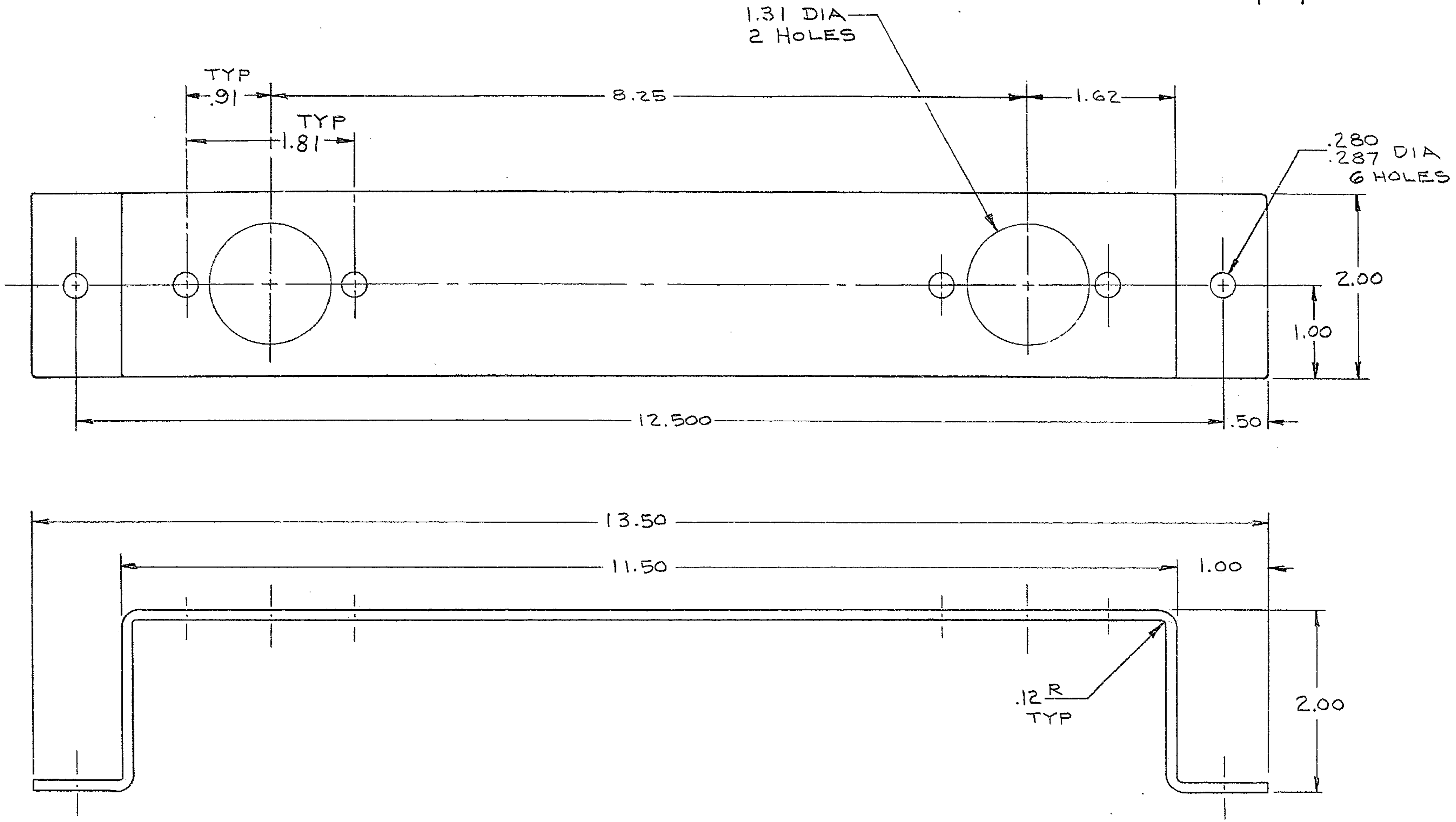


**NOTES: UNLESS OTHERWISE NOTED**

1. REMOVE ALL BURRS AND SHARP EDGES .03 R MAX
2. MACHINED SURFACE ROUGHNESS  $\sqrt{125}$
3. FINISH: CD PLATE

REVISIONS						
ZONE	LTR	DESCRIPTION	ECR	DATE	BY	APVD



1		1/8 x 2 x 17 1/2	CRS	1
QTY REQD	PART OR IDENTIFYING NO.	DESCRIPTION	MATERIAL / SPECIFICATION	ITEM NO.
<b>PARTS LIST</b>				
TOLERANCES UNLESS OTHERWISE NOTED DECIMALS    FRACTIONS    ANGULAR .XX ± .03       ± —       ± 0° 30'			<b>KITT PEAK NATIONAL OBSERVATORY</b> <small>OPERATED BY THE ASSOCIATION OF UNIVERSITIES FOR RESEARCH IN ASTRONOMY, INC.          UNDER CONTRACT WITH NATIONAL SCIENCE FOUNDATION</small>	
NEXT ASSEMBLY	NAME	REF FILE		
2102-E20	VALVE MOUNTING BRACKET VACUUM PUMP AND PIPING ASSEMBLY 150 INCH TELESCOPE	1490		
SCALE FULL	DESIGNED BY A.B. Henry	DATE 5-8-73	APPROVED BY	DWG NO. 2102-C12
PRINT ISSUED	DRAWN BY J.B.H.	DATE 5-15-73	APPROVED BY	REV
	CHECKED BY A.A.A.	DATE 2/12/74	APPROVED BY A.A.A.	RELEASE DATE 3-20-74