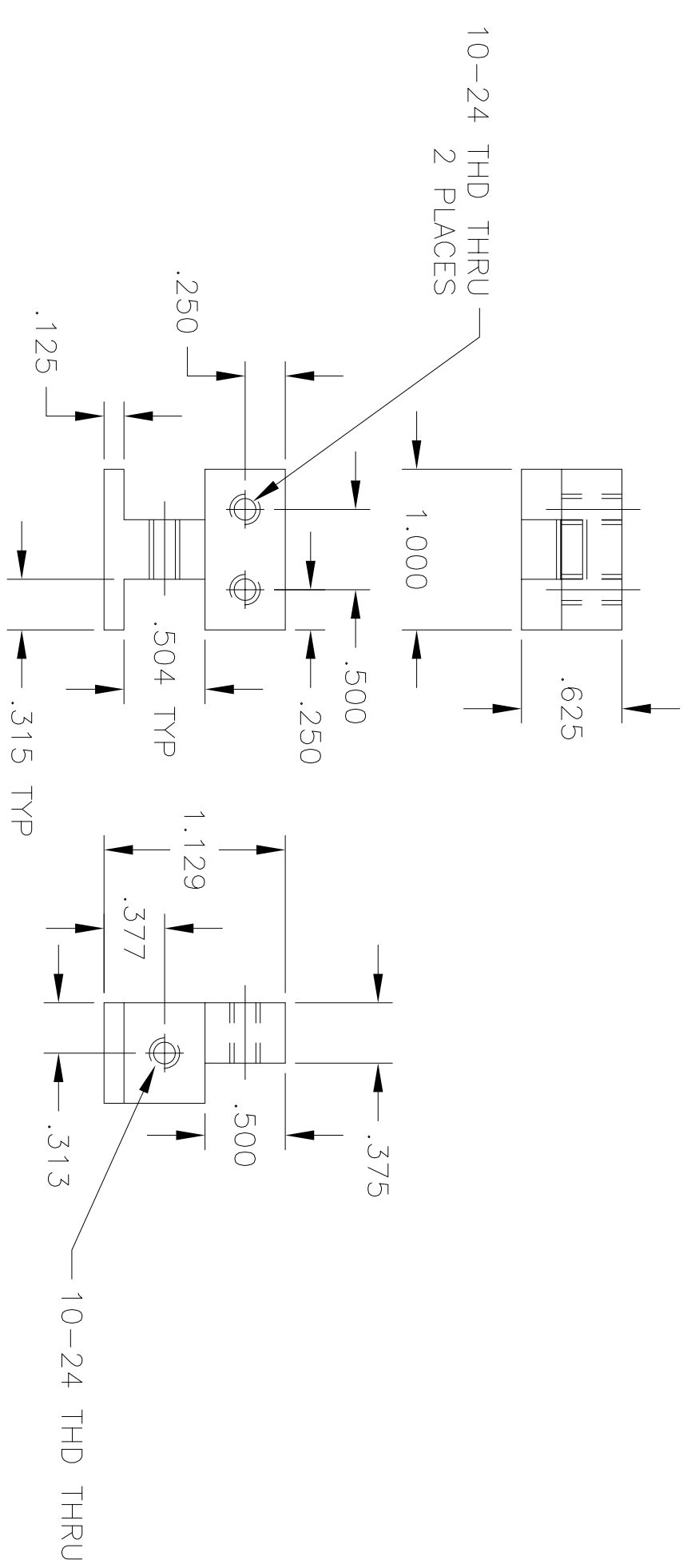
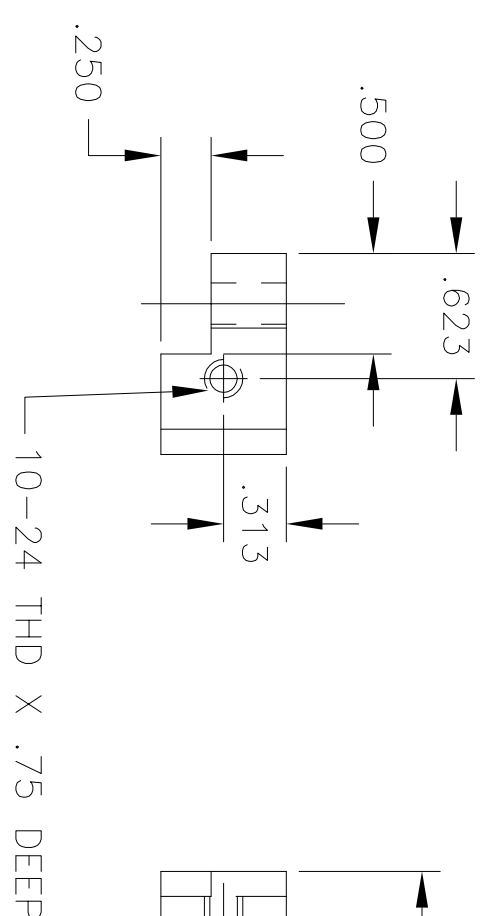
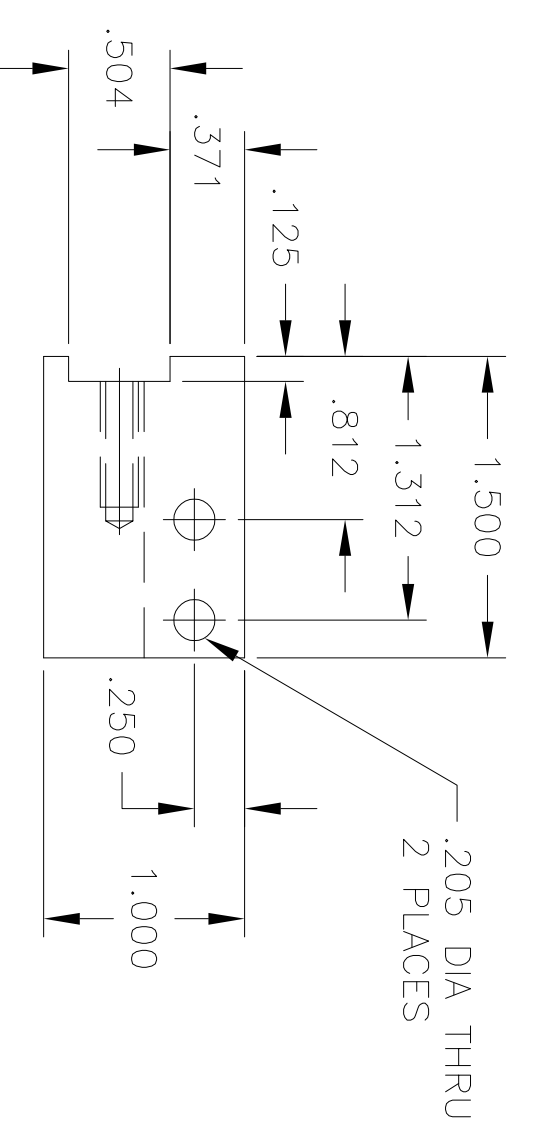


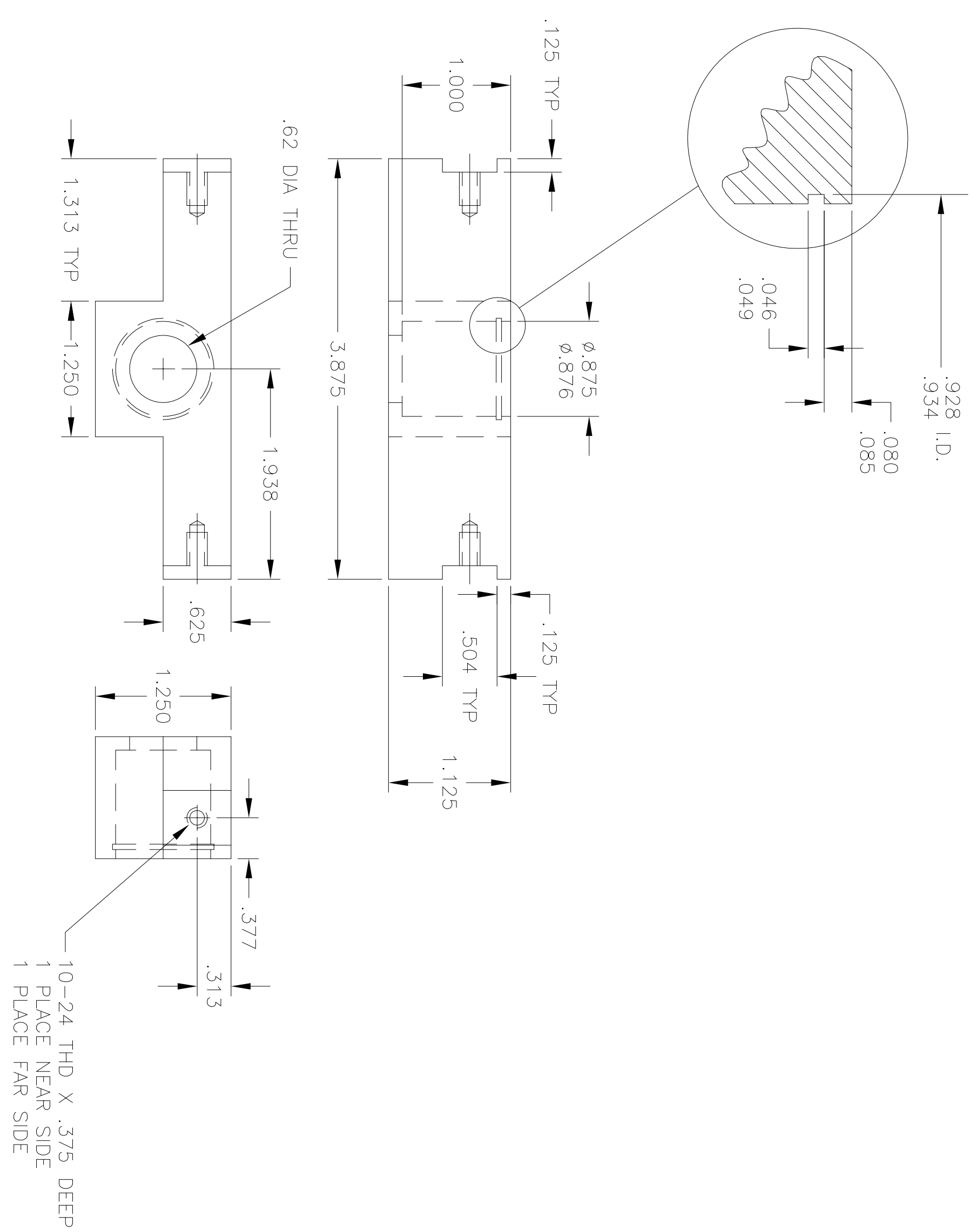
NOTES: UNLESS OTHERWISE SPECIFIED
 1. REMOVE ALL BURRS AND SHARP EDGES .030 R MAX.
 2. MACHINED SURFACE ROUGHNESS $R_{a} 12.5$



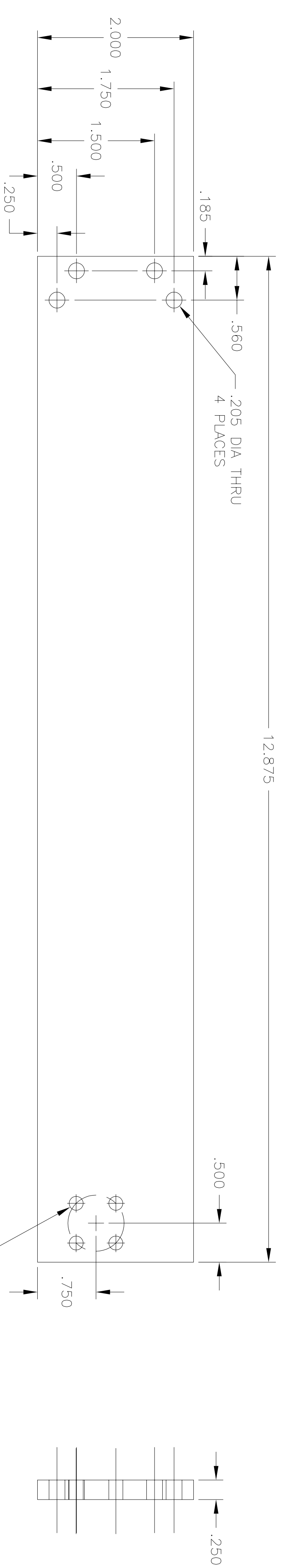
-1 WHEEL BRACKET
 MATL: STEEL
 3 REQUIRED



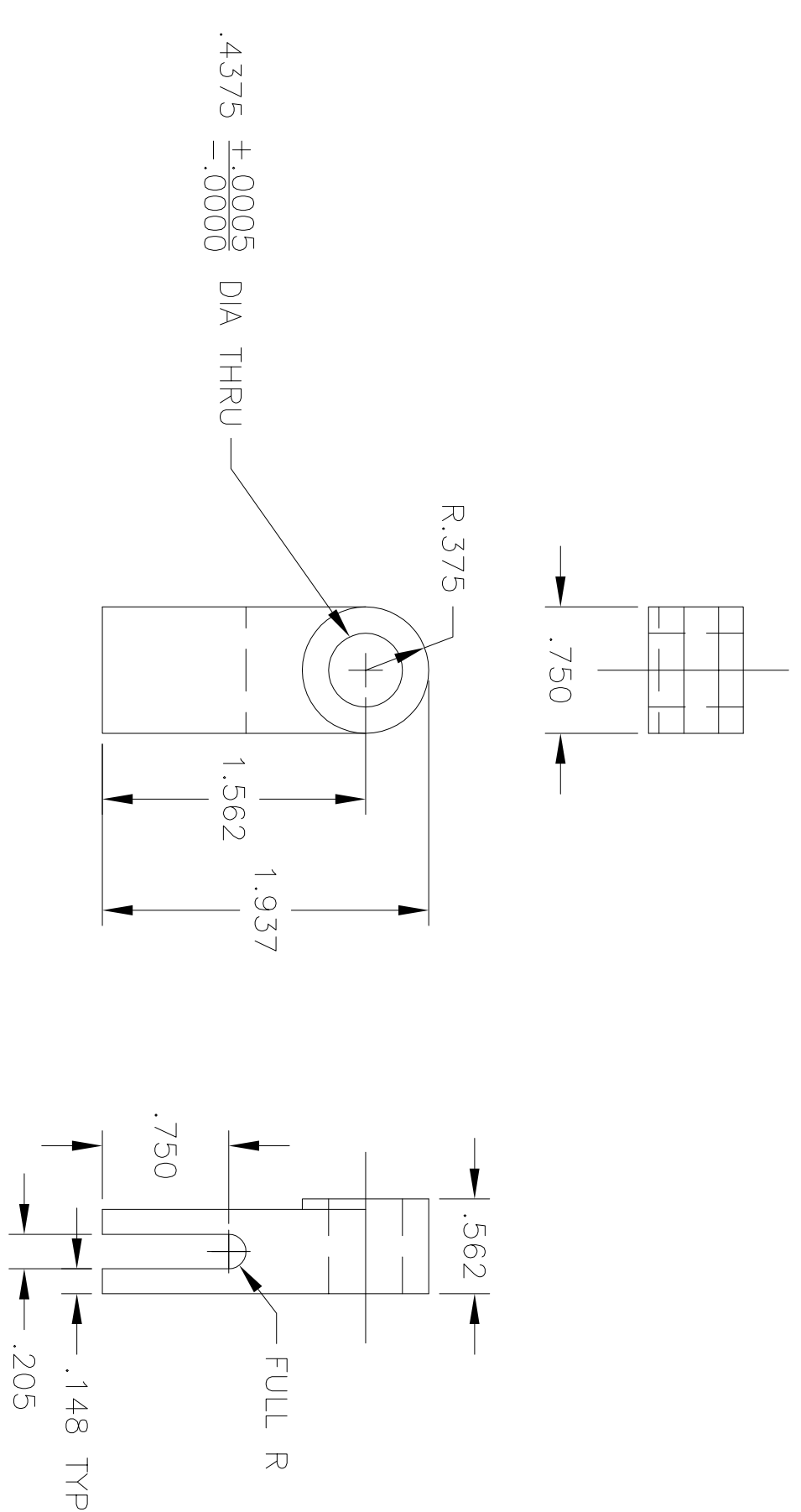
-2 WHEEL BRACKET
 MATL: STEEL
 1 REQUIRED



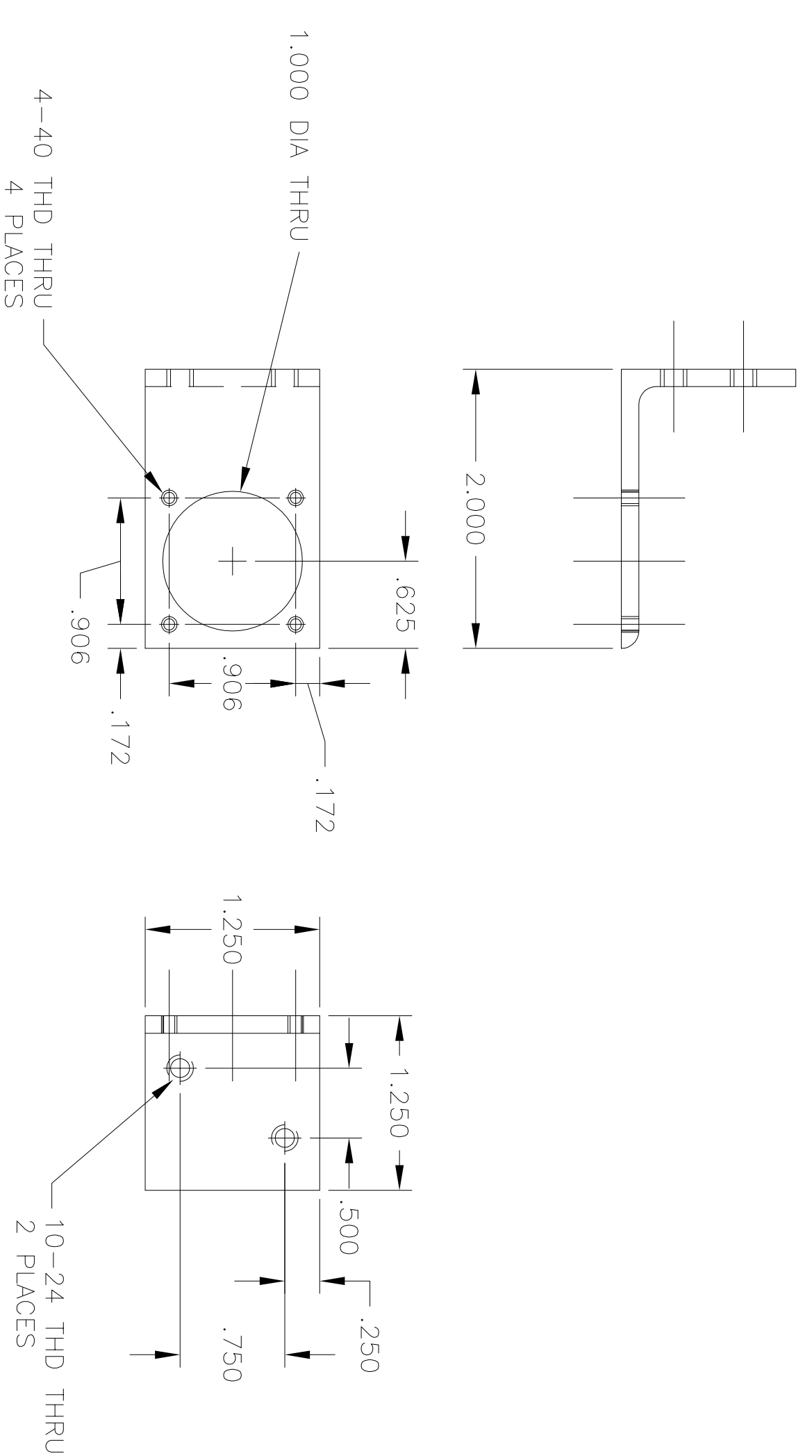
-3 WHEEL SWIVEL MOUNT
 MATL: STEEL



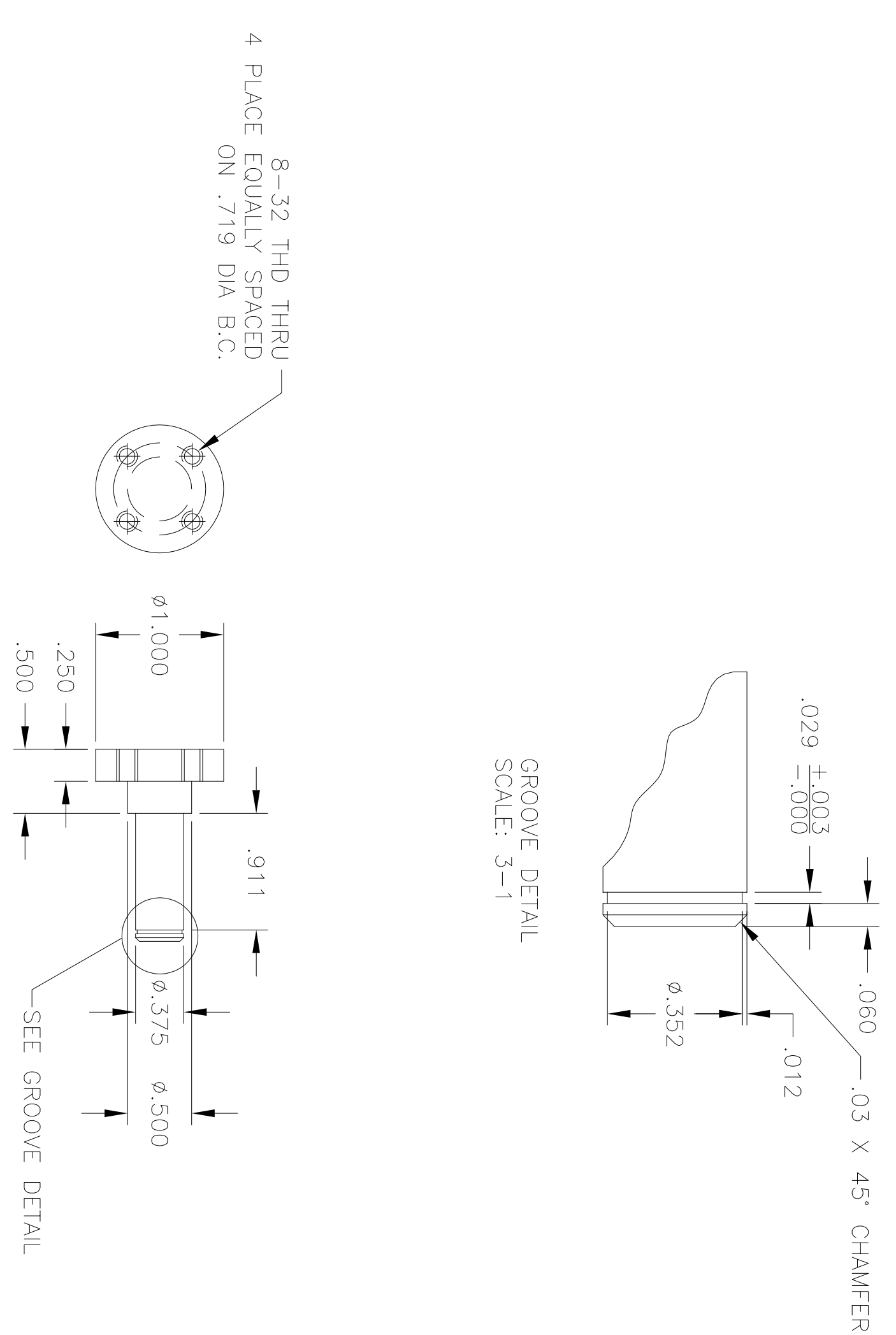
-4 HANGER BAR
 MATL: ALUMINUM 6061-T6
 1 REQUIRED



-5 AXLE MOUNT
 MATL: ALUMINUM 6061-T6
 6 REQUIRED



-6 RECEPTACLE BRACKET
 MATL: ALUMINUM ANGLE 2 X 2 X 1/8
 1 REQUIRED



-7 SWIVEL AXLE
 MATL: 17/4 PH
 1 REQUIRED

DATE	REV	BY	CHKD	APP'D
08/27/97	1	AW	AW	
NATIONAL OPTICAL ASTRONOMY OBSERVATORIES ASSOCIATION OF UNIVERSITIES FOR RESEARCH IN ASTRONOMY NATIONAL SCIENCE FOUNDATION				
TITLE: REPLACEMENT PARTS FOR DOME POSITION SENSOR SYSTEM			USED ON: 4M DOME PART NO: 2101-E16 DATE: 1992	
DO NOT SCALE DRAWING				
NEXT ASSEMBLY: 2101-E13				
SCALE: FULL				
AUTOCAD R13				

ZONE	LIB	REVISIONS	ECN	DATE	BY	APPV