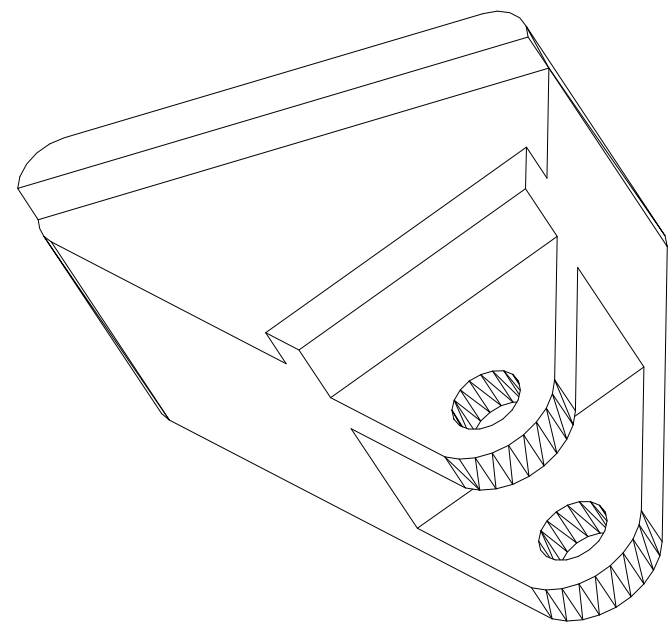
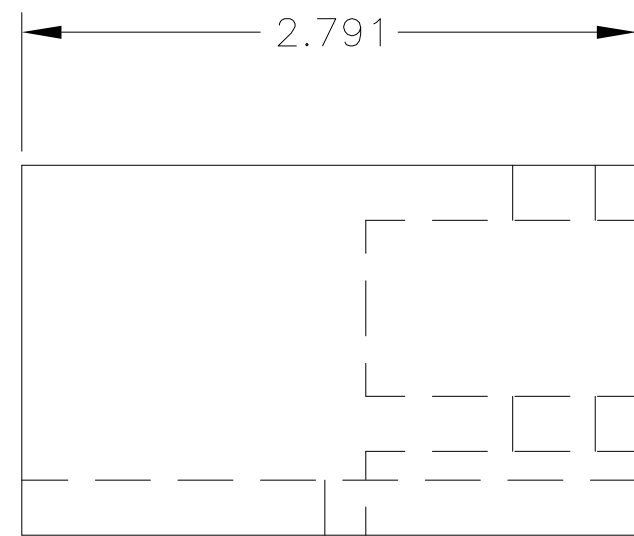
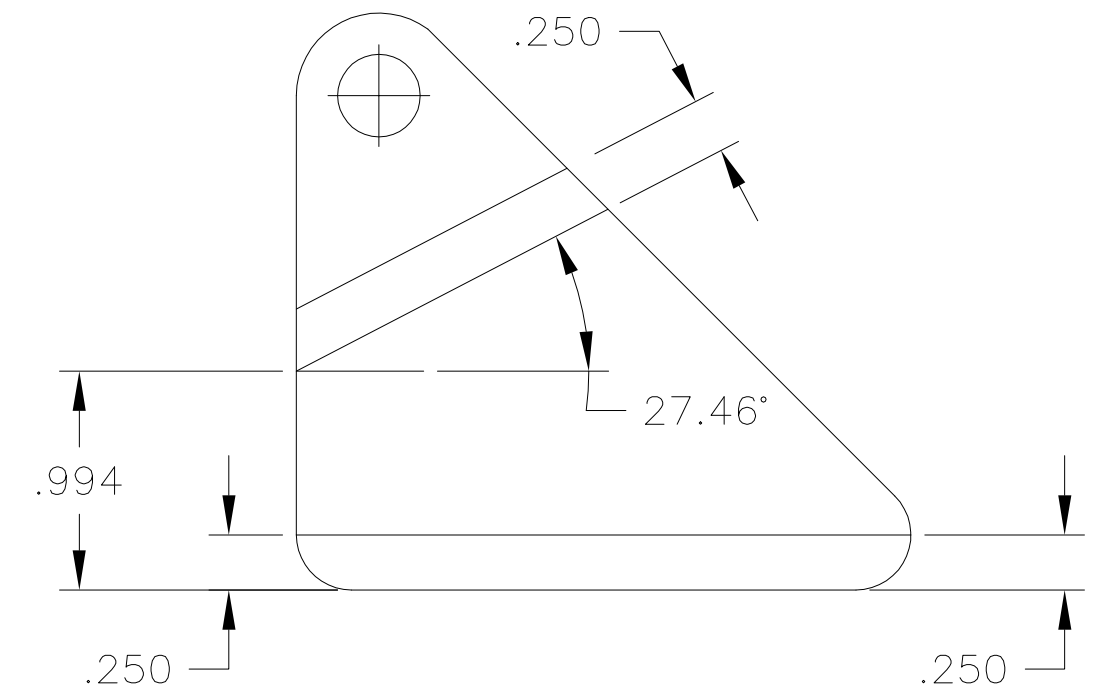
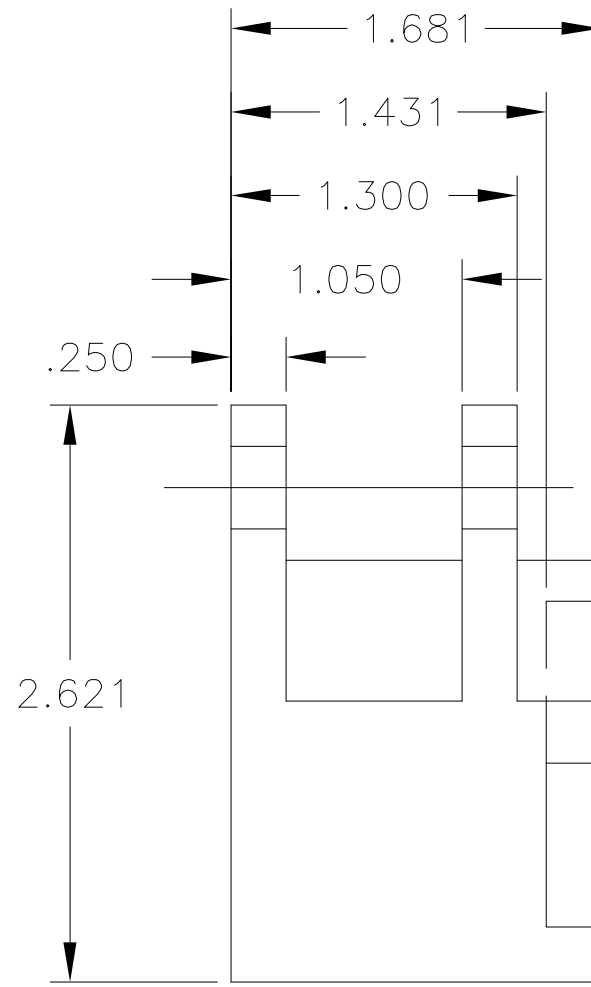
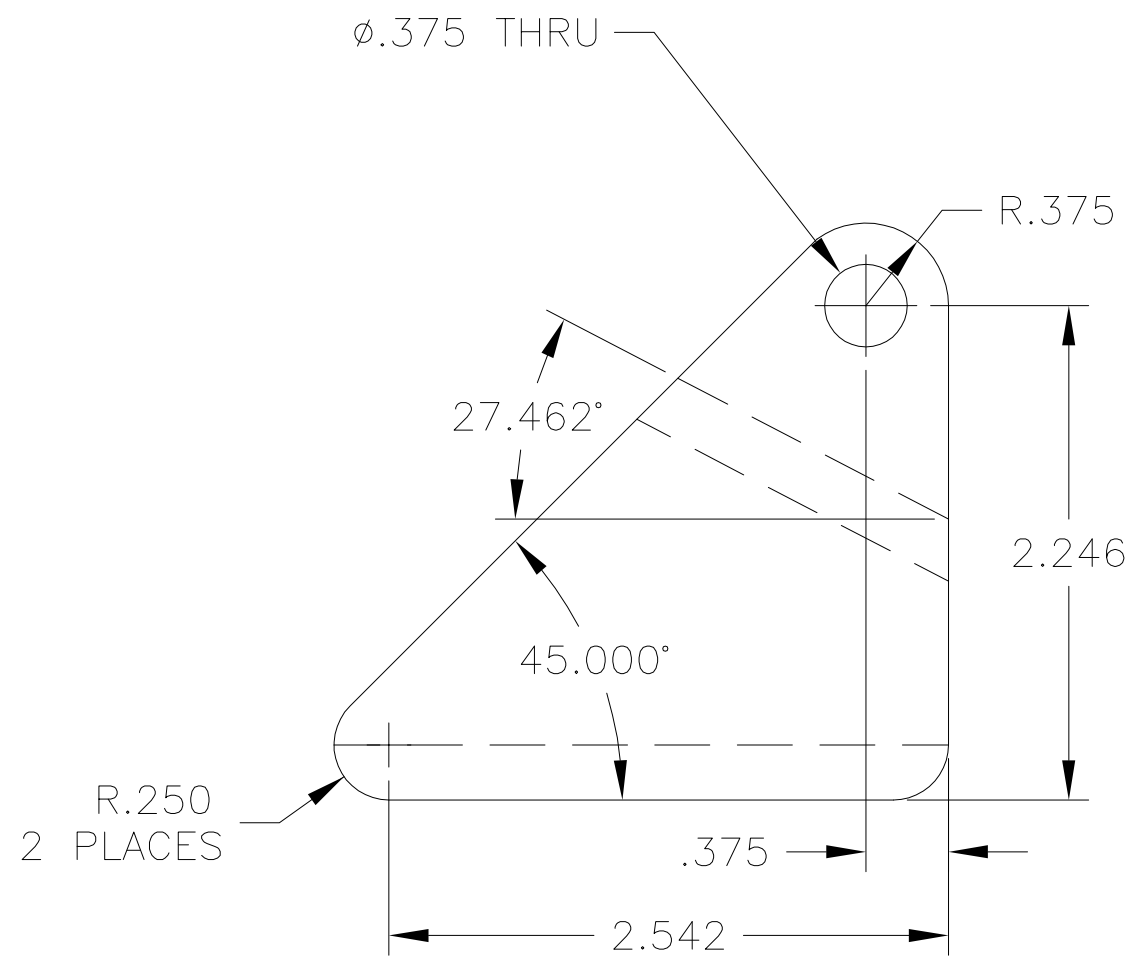
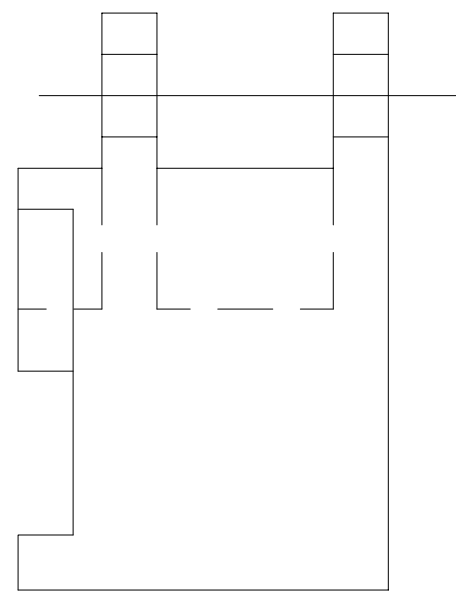
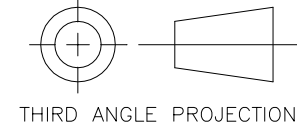


NOTES: UNLESS OTHERWISE SPECIFIED

1. REMOVE ALL BURRS AND SHARP EDGES .030 R MAX.
2. MACHINED SURFACE ROUGHNESS 125
3. MATERIAL - C.R.S. 1018

REVISIONS						
ZONE	LTR	REVISIONS	ECR	DATE	BY	APRV



QTY REQ'D	PART OR IDENTIFYING NO	ITEM DESCRIPTION	ITEM NO			
TOLERANCES UNLESS OTHERWISE NOTED .XX ±.03 .XXX ±.010		 THIRD ANGLE PROJECTION	NATIONAL OPTICAL ASTRONOMY OBSERVATORIES <small>OPERATED BY THE</small> ASSOCIATION OF UNIVERSITIES FOR RESEARCH IN ASTRONOMY <small>UNDER COOPERATIVE AGREEMENT WITH</small> NATIONAL SCIENCE FOUNDATION			
ANGULAR ±.5°						
DO NOT SCALE DRAWING		NAME	USED ON			
NEXT ASSEMBLY		PIVOT MOUNT FOR 3 TON JIB CRANE ACTUATOR	4M TELESCOPE			
2101.0007851E			DWG SIZE	REF. FILE		
			C 1499			
SCALE: FULL	DESIGNED BY WRE	DATE 23JUL98	CHECKED BY	DATE	DWG NO	REV
DWG PRODUCED USING AUTOCAD R14	DRAWN BY WRE	DATE 23JUL98	APPROVED BY	DATE	2101.0007853C	
	PRINT ISSUED	DATE	APPROVED BY	DATE		