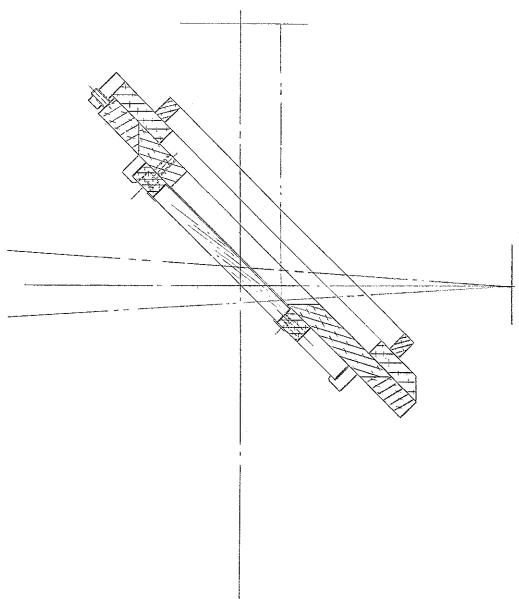
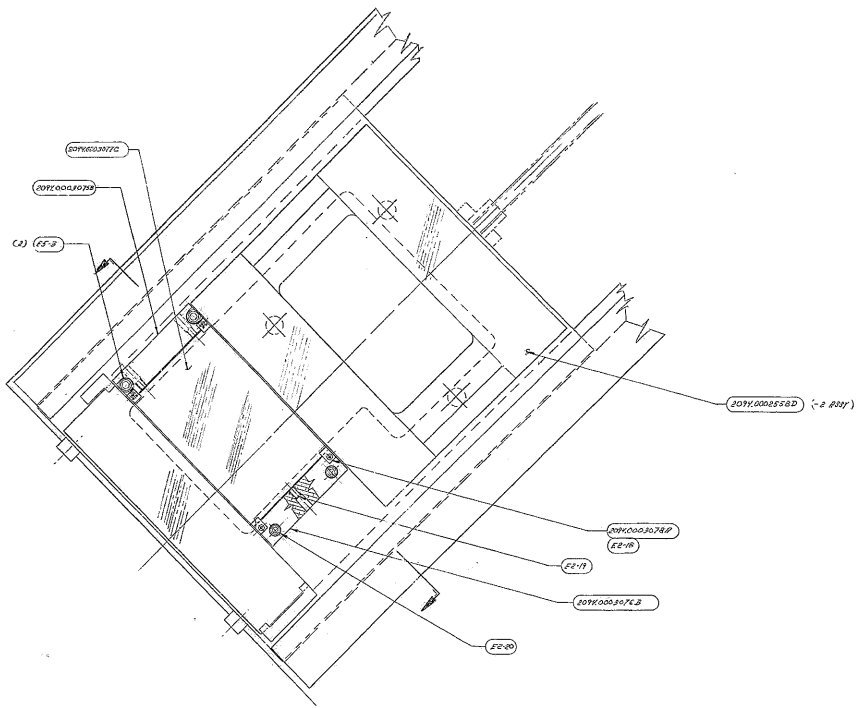


NOTES: UNLESS OTHERWISE NOTED  
 1. REMOVE ALL BURRS AND SHARP EDGES  
 2. MACHINED SURFACE ROUGHNESS  $\sqrt{1.6}$

REVISIONS			
NO.	DATE	BY	APP.



QTY	DESC	DATE OR IDENTIFYING NO.	DESCRIPTION	MATERIAL / SPECIFICATION	DIFF	ITEM NO.
<b>PARTS LIST</b>						
TOLERANCES UNLESS OTHERWISE SPECIFIED DIMENSIONS FRACTIONS DECIMALS DECIMALS ANGLES DEGREES HOLE DIA. HOLE DIA.						
<b>KITT PEAK NATIONAL OBSERVATORY</b> ASSOCIATION OF UNIVERSITIES FOR RESEARCH IN ASTRONOMY, INC. NATIONAL TELESCOPE FABRICATOR						
PART NUMBER <b>207Y-21</b>	NAME <b>OFFSET GUIDE MIRROR CARRIAGE ASSEMBLY</b>	REV. <b>REV. 2</b>	DRAWN BY <b>J.S. GARDNER</b>	CHECKED BY <b>J.S. GARDNER</b>	DATE <b>12-12-70</b>	PROJ. <b>207Y-22</b>
SCALE <b>1/2"</b>	DRAWING NO. <b>207Y-22</b>	PROJECT NO. <b>12-12-70</b>	DRAWN BY <b>J.S. GARDNER</b>	CHECKED BY <b>J.S. GARDNER</b>	DATE <b>12-12-70</b>	PROJ. <b>207Y-22</b>