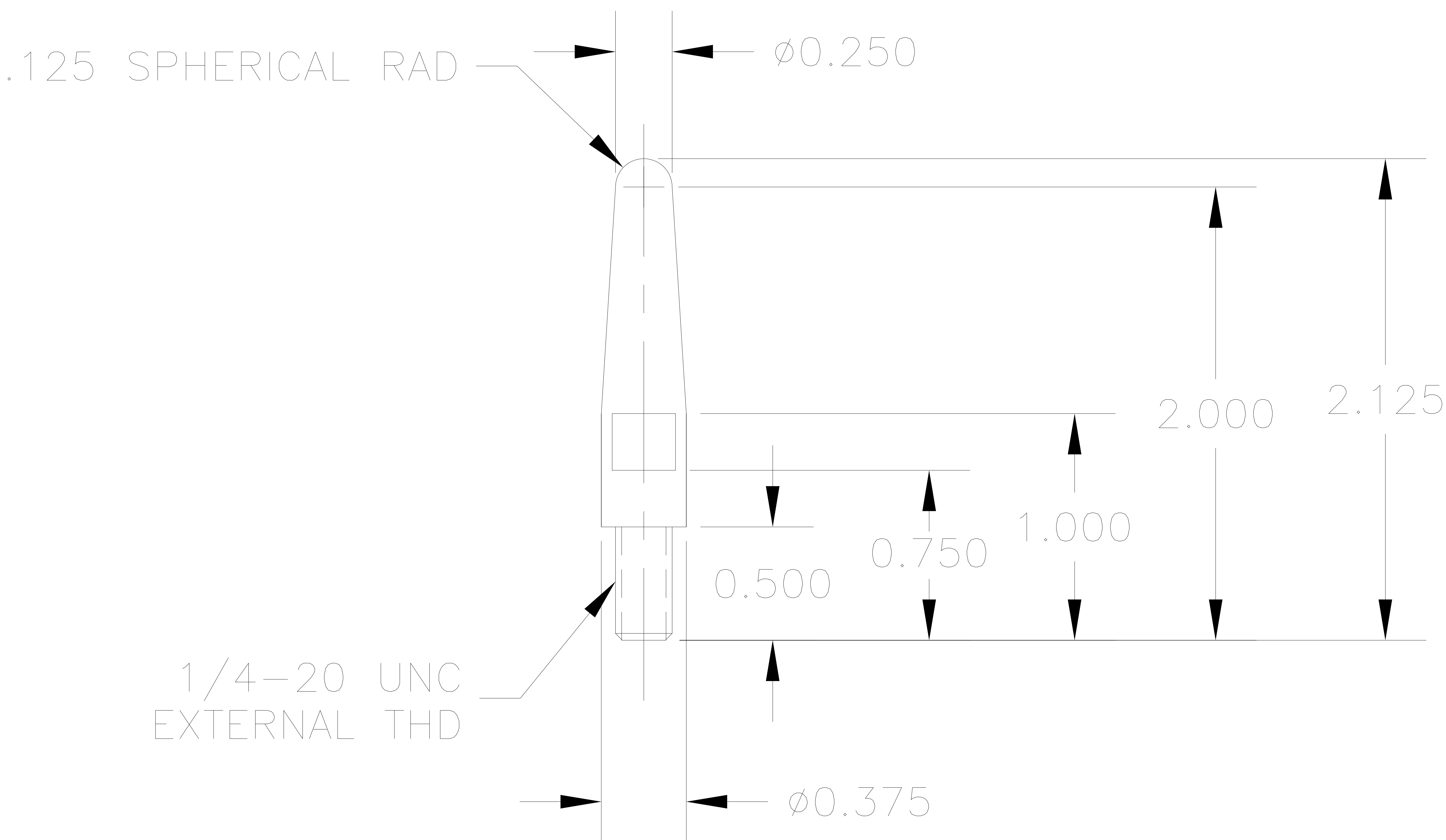
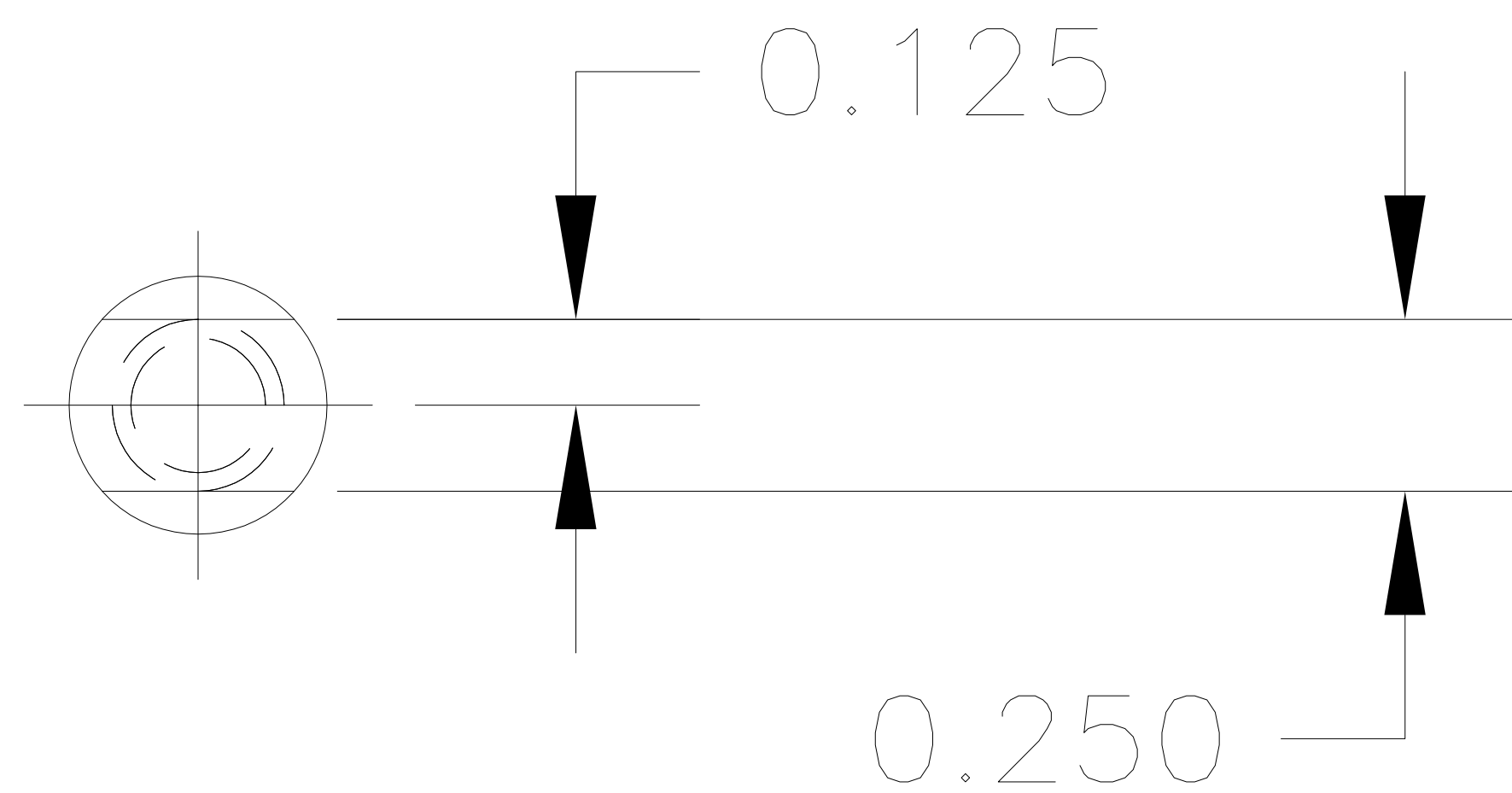


NOTES: UNLESS OTHERWISE SPECIFIED

1. REMOVE ALL BURRS AND SHARP EDGES .030 R MAX.
2. MACHINED SURFACE ROUGHNESS $125\sqrt{\text{ }}$
3. ALL DIMENSIONS ARE IN INCHES
4. MATERIAL - SS 302
5. FINISH - NONE

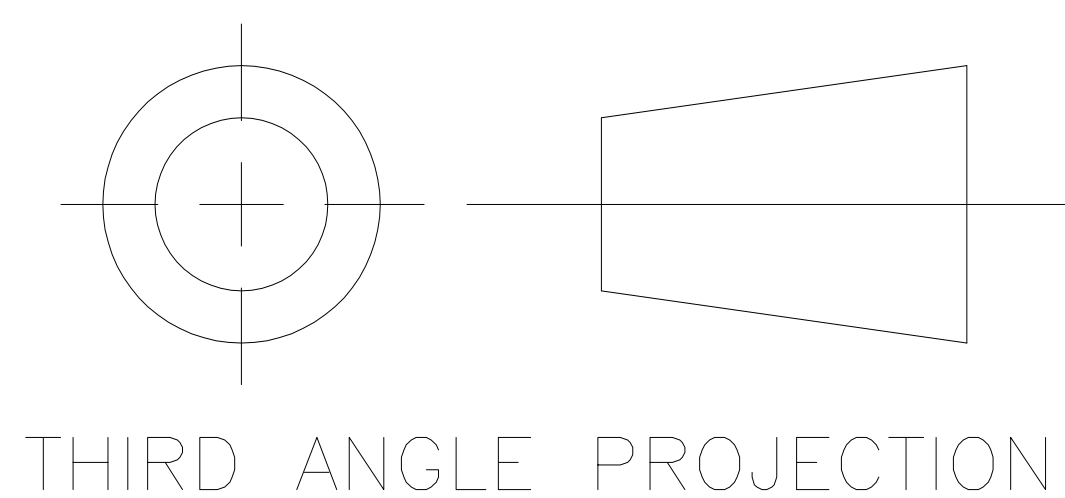
REVISIONS				
LTR	DESCRIPTION	ECR	DATE	BY



DWG NO 2047.0008180A

TOLERANCES UNLESS OTHERWISE NOTED

.XX ± 0.03 ANGULAR
.XXX ± 0.010 $\pm 5^\circ$



NATIONAL OPTICAL ASTRONOMY OBSERVATORIES
OPERATED BY THE
ASSOCIATION OF UNIVERSITIES FOR RESEARCH IN ASTRONOMY
UNDER COOPERATIVE AGREEMENT WITH
NATIONAL SCIENCE FOUNDATION

DO NOT SCALE DRAWING

NAME

USED ON

84" TELESCOPE

NEXT ASSEMBLY

LOCATING PIN

2047.0008175E

DWG SIZE

REF FILE

A

2046

SCALE: FULL

DESIGNED BY WRE

DATE 25MAY98

CHECKED BY

DATE

DWG NO

REV.

DWG PRODUCED USING

DRAWN BY WRE

DATE 25MAY98

APPROVED BY

DATE

2047.0008180A

AUTOCAD R14

PRINT ISSUED

DATE

APPROVED BY

DATE

RELEASED

SHEET 1 OF 1