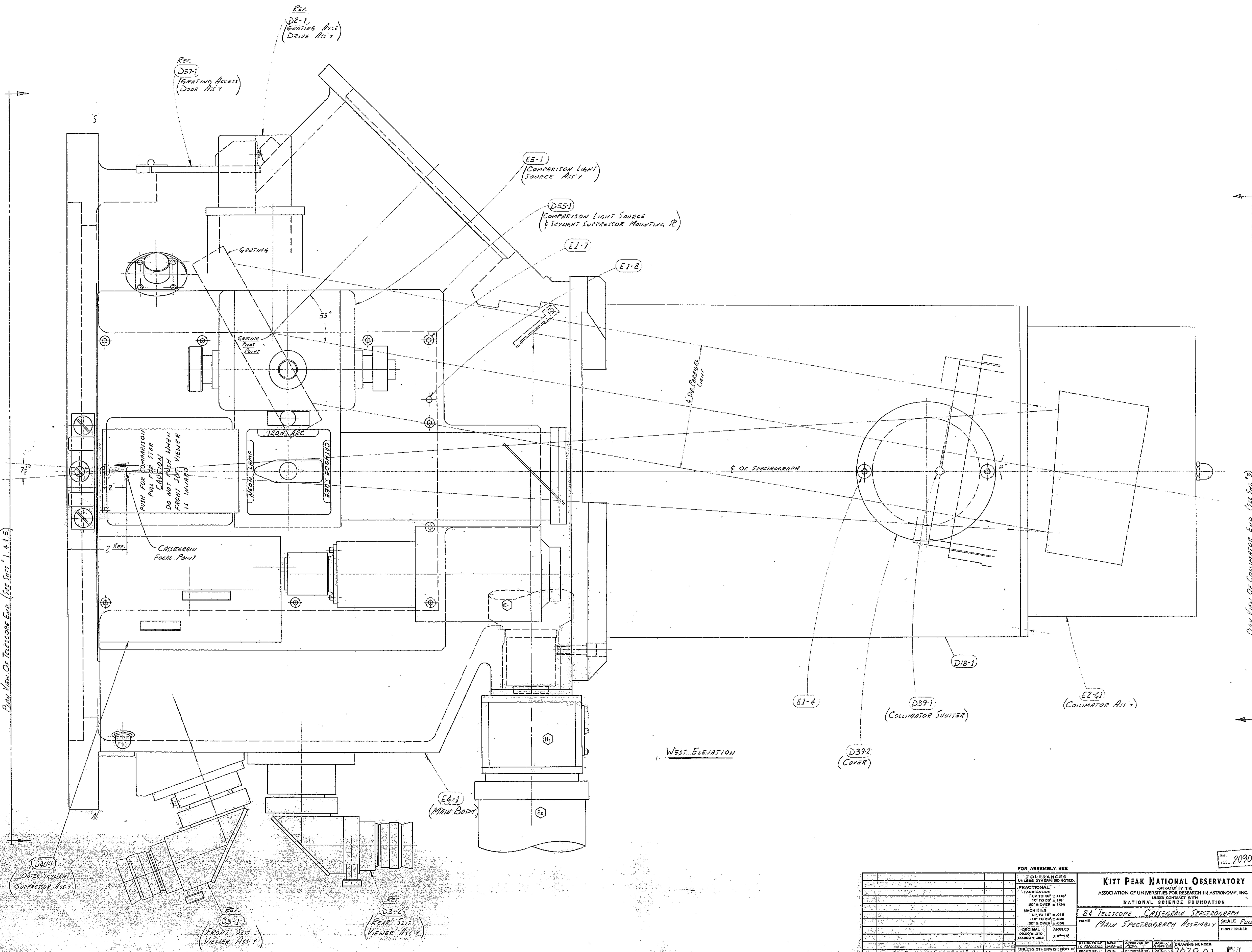


BILL OF MATERIAL			SIZES OF MATERIAL NOTED DO NOT INCLUDE STOCK ALLOWANCE FOR MACHINING AND CUTTING OFF EXCEPT AS NOTED. THE SIZE SPECIFICS THE MATERIAL REQUIRED FOR ONE PIECE ONLY. QUANTITIES NOTED ARE THE TOTAL NUMBER REQUIRED.	
ITEM	QWS. NO.	QTY.	MATERIAL	DESCRIPTION



TOLERANCES UNLESS OTHERWISE NOTED.		KITT PEAK NATIONAL OBSERVATORY	
FRACTIONAL	UP TO 16" ± 1/16"	OPERATED BY THE	ASSOCIATION OF UNIVERSITIES FOR RESEARCH IN ASTRONOMY, INC.
DECIMAL	16" TO 20" ± .000	UNDER CONTRACT WITH	NATIONAL SCIENCE FOUNDATION
ANGLES	0.000 ± .003	NAME	84 TELESCOPE CASSEGRAIN SPECTROGRAPH
		SCALE	FULL
		PRINT	ISSUED
UNLESS OTHERWISE NOTED SURFACES HANDED V		DESIGNED BY	DATE
TO HAVE V FINISH		DRAWN BY	DATE
		CHECKED BY	DATE
		APPROVED BY	DATE
		DATE	2028.01
		REVISION	E1

REV. 2090

QUANT.	PRINT RECORD	DATE	NO.	REVISION	DATE	BY