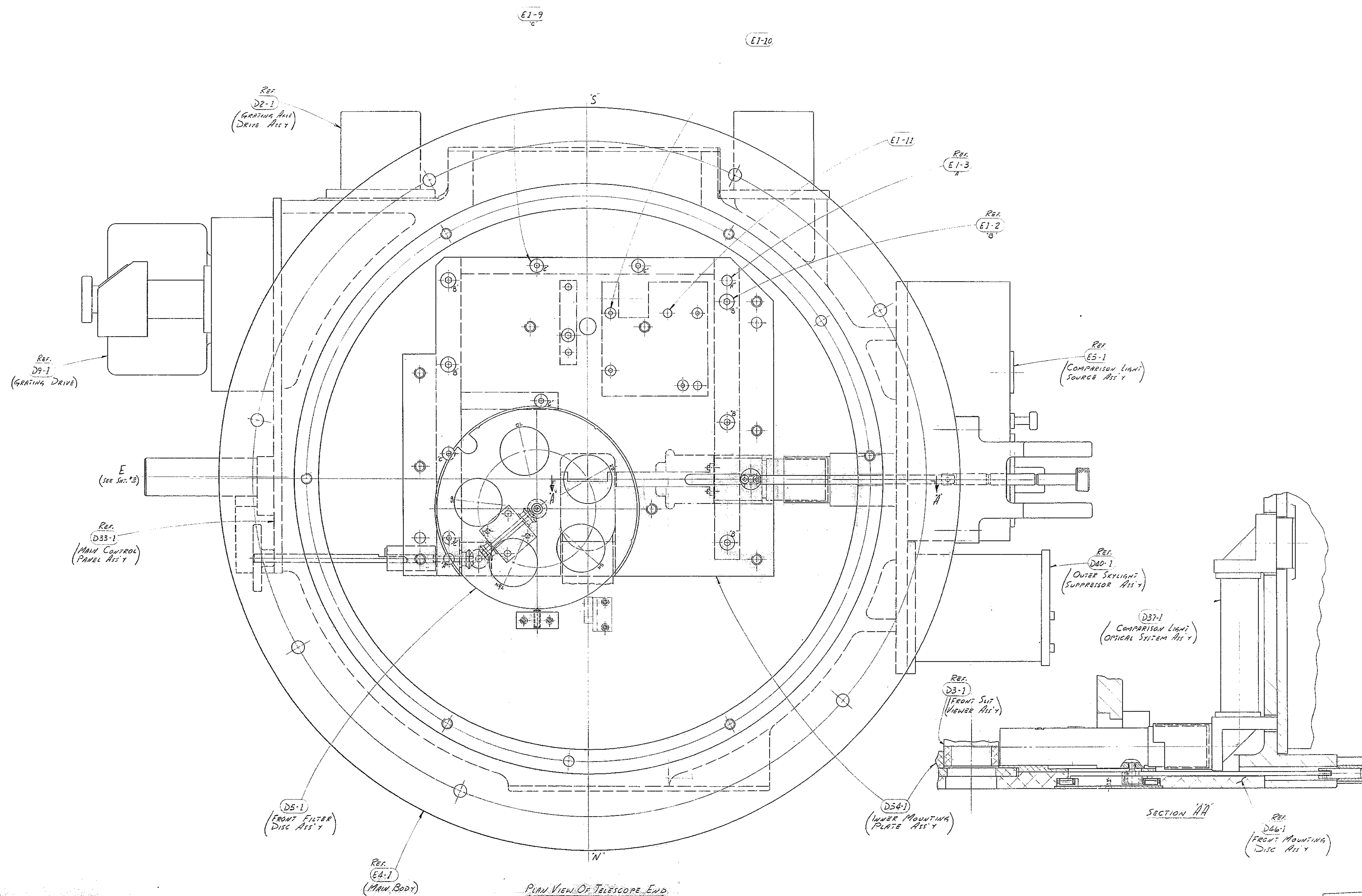


BILL OF MATERIAL		ITEM		MATERIAL		DESCRIPTION		QTY.



PLAN VIEW OF TELESCOPE END  
(17" D46-1 (FRONT MOUNTING DISC) REM'D)

QUANT.	PRINT RECORD	DATE	NO.	REVISION	DATE	BY	TO HAVE "V" FINISH

TOLERANCES UNLESS OTHERWISE NOTED: FRACTIONAL FABRICATION UP TO 1" ± 1/16" 1" TO 5" ± 1/8" 5" & OVER ± 1/32" MACHINING UP TO 1" ± .015 1" TO 5" ± .030 5" & OVER ± .050 DECIMAL ANGLES 60.000 ± .010 ± 0°-15' 60.000 ± .008		<b>KITT PEAK NATIONAL OBSERVATORY</b> OPERATED BY THE ASSOCIATION OF UNIVERSITIES FOR RESEARCH IN ASTRONOMY, INC. UNDER CONTRACT WITH NATIONAL SCIENCE FOUNDATION <b>84 TELESCOPE CASSEGRAIN SPECTROGRAPH</b> NAME: MAIN SPECTROGRAPH ASS'Y SCALE: FULL PRINT ISSUED:	
DESIGNED BY: L. BRECHT	DATE: 10-5-64	APPROVED BY: [Signature]	DATE: 10-5-64
DRAWN BY: J. E. [Signature]	DATE: 10-5-64	APPROVED BY: [Signature]	DATE: 10-5-64
CHECKED BY: [Signature]	DATE: 10-5-64	APPROVED BY: [Signature]	DATE: 10-5-64

FOR ALL CHANGES SEE SUR. #1

2028.01 E1 L

2090