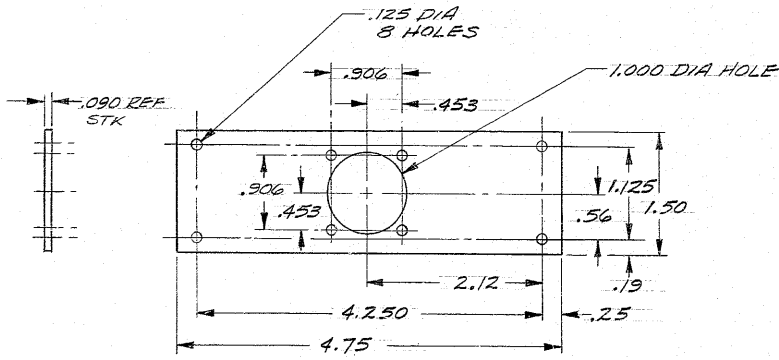


THIS DRAWING IS NOT CHECKED

- NOTES: UNLESS OTHERWISE NOTED
1. REMOVE ALL BURRS AND SHARP EDGES $\frac{.015}{R}$ MAX
 2. MACHINED SURFACE ROUGHNESS $\frac{125}{\sqrt{}}$
 3. MATL: .090 6061-T3 SHEET AL OR EQUAL

REVISIONS				
LTR	DESCRIPTION	ECR	DATE	BY/APVD



2.1 METER TELESCOPE							
TOLERANCES UNLESS OTHERWISE NOTED				KITT PEAK NATIONAL OBSERVATORY <small>OPERATED BY THE ASSOCIATION OF UNIVERSITIES FOR RESEARCH IN ASTRONOMY, INC. UNDER CONTRACT WITH NATIONAL SCIENCE FOUNDATION</small>			
DECIMALS	FRACTIONS	ANGULAR					
.XX ± .03	± —	± 0° 30'					
.XXX ± .010							
NEXT ASSEMBLY	NAME			REF		FILE	
2024.920 D2	CONNECTOR PLATE - HEAT SINK, SERVO CONTROL MODULE			2081			
SCALE FULL	DESIGNED BY	DATE	APPROVED BY	DATE	DWG NO.	REV	
PRINT ISSUED	E. TROYER	5/3/74	E. A. BEUL	5-30-74	2024.920 B8		
	CHECKED BY	DATE	APPROVED BY	DATE	RELEASE DATE		
					5-20-76		

6/72 DIETRICH-POST CLEARPRINT 2220



RF 5-6-76